

STUDIO X2

BI-COLOR

Talent Light with Natural Quality

Litepanels **Studio X LED** Fresnels, engineered by world renowned broadcast lighting professionals Quartzcolor, deliver high-performance, directional, bright white light with precision spot to flood beam control and consistent quality.

Natural talent light with perfect skin tone rendering is achieved with high output Bi-Color COB LEDs to produce superior white light. With no variation in quality at any dimming level from 0-100% or across the adjustable CCT range from **2700°K to 6500°K**, Studio X Bi-Color Fresnels perfectly match ambient and practical set lighting to show talent in a naturally realistic light.

The Studio X2 Bi-Color 60W Fresnel has a 5" lens in a practical compact chassis with a spot-to-flood beam angle range of 10° - 49°. With a maximum output of 2,300 lux at 10ft/3m (spot 5,600K), its output at 3,200K is similar to a 300W traditional tungsten Fresnel. Advanced thermal management ensures 50,000+ hours of LED engine life, while individual burn-in and calibration tests ensure quality and consistency.

With high-quality, single source wrap-around illumination, Studio X is the perfect choice to light your talent – naturally.



PERFECT TALENT LIGHT

- Pure, bright, and consistent white light
- Perfect skin tone rendering

FLAWLESS FRESNEL BEAM

- Even field throughout the zoom range
- Effective light control with barndoors

COMPLETE CONTROL

- DMX, RDM, and local control
- Accurate, fine dimming curve

ENDURING PERFORMANCE

- Installed in leading broadcast studios
- Advanced thermal management

Product Information

Part Number:	US	UK	EU
Standard Yoke	960-2303	960-2203	960-2103
Pole Operated	960-2313	960-2213	960-2113
Description	Studio X2 Bi-Color 60W LED Fresnel		
Includes	LCD graphic display and on-board control panel; 5-pin RDM-DMX in connector; PowerCON in connector; built-in universal power supply; 4-leaf rotating barndoor Ø 6.6" (168mm); 10ft (3m) powerCON True 1 cable. US version also includes: gel frame Ø 6.6" (168mm)		

Accessories

900-6801 X2 Gel frame Ø168mm	900-6802 X2 Scrim set Ø168mm	900-6803 X2 Cone w/ variable aperture Ø168mm	900-6804 X2 4-leaf rotating barndoor Ø168mm
--	--	---	--

Studio X2 BI-COLOR Specifications

Optical Data

LED engine	Bi-Color COB
Lens	Fresnel 130mm / 5" Ø, low expansion borosilicate
Beam angle	10° - 49°
Correlated Color Temperature	Variable 2,700K to 6,500K
CRI	97
TLCI	97

Operational Data

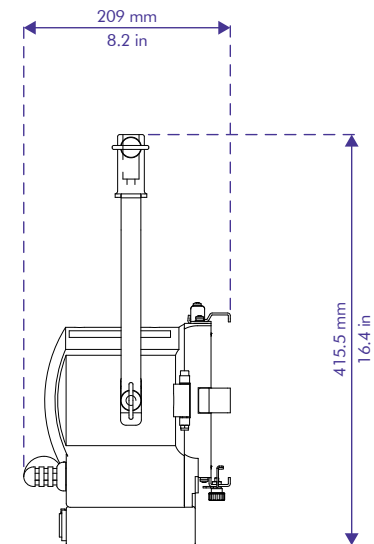
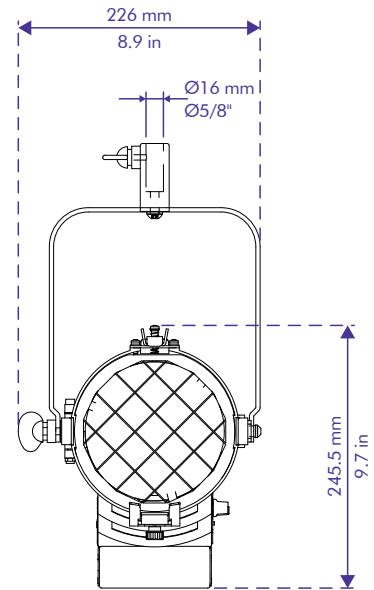
Focus adjustment	Wire focus mechanism on Teflon bushing
Dimming control	PWM with 3 frequency presets, 0-100% continuously adjustable
Local control	Single dial (dimming and CCT) and keypad controller with backlit LCD display
Control connections	5-Pin XLR in and through, Mini-USB
DMX control	Dimming and CCT, 8-bit and 16-bit
RDM control	DMX setup, hour counter, temperature
Fan	High efficiency convection, super silent fan with 3 speed presets
Software [Mini-USB]	Fixture status, firmware upgrade through PC
Ambient operating temperature	0° - 40°C / 32°-104°F
Estimated LED lifetime	50,000 hrs

Mechanical Data

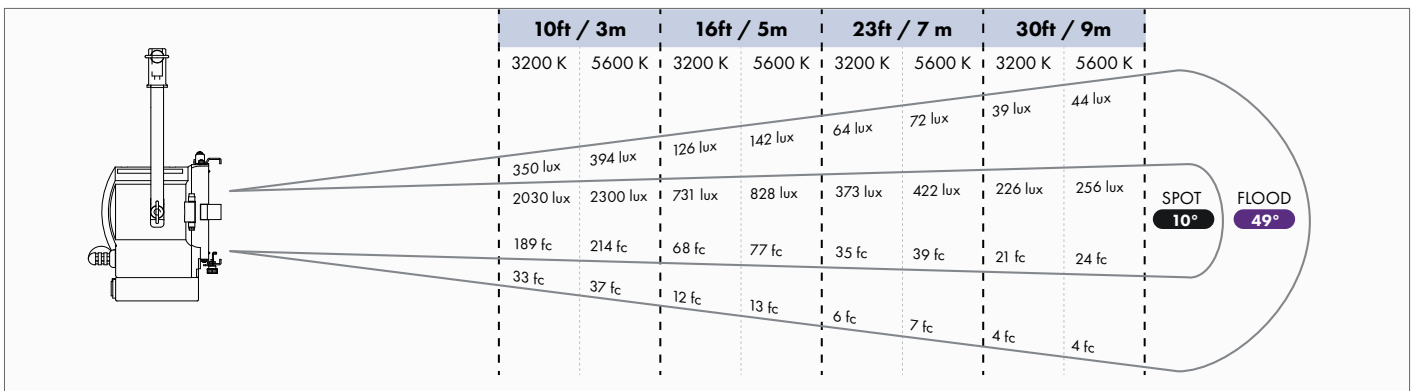
Mounting - standard	Yoke with Baby Pin [16mm / 5/8"]
Mounting - pole operated	Pole operated yoke, Jr Pin [28 mm / 1 1/8"]
Weight - standard	3.5kg / 7.72lb
Weight - pole operated	5.0kg / 11lb
Tilt angle	+/- 90°
Barndoor diameter	168mm / 6.6"
Safety mesh	Stainless steel 168mm / 6.6"

Electrical

Nominal power draw	60W maximum
Power supply	Integrated, universal
Mains input	80 - 260 Vac, 50 - 60 Hz, autosensing
Power connection	powerCON TRUE 1 in
IP rating	IP20



Photometrics



Investing in LED fixtures brings immediate benefits: up to 85% energy savings; extended LED engine life vs halogen lamp; no external dimmers required; reduced HVAC requirements due to lack of heat.

All product, specs and data are subject to change without notice
©2022, Litepanels. All rights reserved.

STUDIO X2

Daylight

Talent Light with Natural Quality

Litepanels **Studio X LED** Fresnels, engineered by world renowned broadcast lighting professionals Quartzcolor, deliver high-performance, directional, bright white light with precision spot to flood beam control and consistent quality.

Natural talent light with perfect skin tone rendering is achieved with high output COB LEDs to produce superior white light. With no variation in quality at any dimming level from 0-100%, Studio X Fresnels perfectly match ambient and practical set lighting to show talent in a naturally realistic light.

The Studio X2 Daylight (5,600K) 60W Fresnel has a 5" lens in a practical compact chassis with spot-to-flood beam angle range of 12°-48°. The fixture offers output of 2,130 lux at 10ft/3m (spot). Advanced thermal management ensures 50,000+ hours of LED engine life, while individual burn-in and calibration tests ensure quality and consistency.

With high-quality, single source wrap-around illumination, Studio X is the perfect choice to light your talent – naturally.



PERFECT TALENT LIGHT

- Pure, bright, and consistent white light
- Perfect skin tone rendering

FLAWLESS FRESNEL BEAM

- Even field throughout the zoom range
- Effective light control with barndoors

COMPLETE CONTROL

- DMX, RDM, and local control
- Accurate, fine dimming curve

ENDURING PERFORMANCE

- Installed in leading broadcast studios
- Advanced thermal management

Product Information

Part Number:	US	UK	EU
Standard Yoke	960-2301	960-2201	960-2101
Pole Operated	960-2311	960-2211	960-2111
Description	Studio X2 Daylight 60W LED Fresnel		
Includes	LCD graphic display and on-board control panel; 5-pin RDM-DMX in connector; PowerCON in connector; built-in universal power supply; 4-leaf rotating barndoor Ø 6.6" (168mm); 10ft (3m) PowerCON True 1 cable. US version also includes: gel frame Ø 6.6" (168mm)		

Accessories

900-6801 X2 Gel frame Ø168mm	900-6802 X2 Scrim set Ø168mm	900-6803 X2 Cone w/ variable aperture Ø168mm	900-6804 X2 4-leaf rotating barndoor Ø168mm
--	--	---	--

Studio X2 Daylight Specifications

Optical Data

LED engine	Daylight COB
Lens	Fresnel 130mm / 5" Ø, low expansion borosilicate
Beam angle	12° - 48°
Correlated Color Temperature	5,600K
CRI	>90

Operational Data

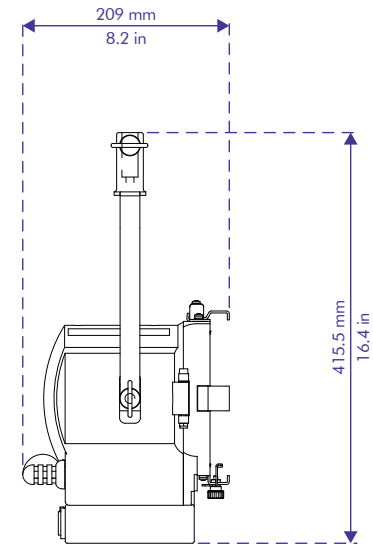
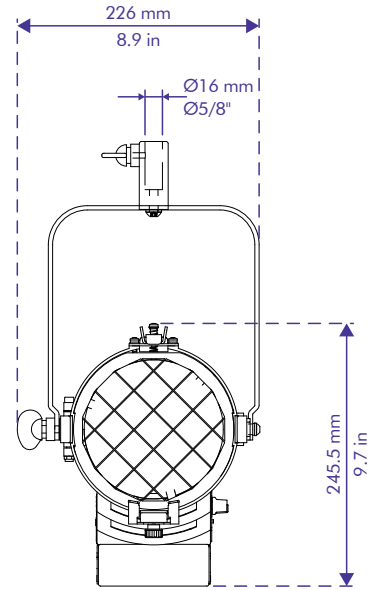
Focus adjustment	Wire focus mechanism on Teflon bushing
Dimming control	PWM with 3 frequency presets, 0-100% continuously adjustable
Local control	Single dial (dimming) and keypad controller with backlit LCD display
Control connections	5-Pin XLR in and through, Mini-USB
DMX control	Dimming, 8-bit and 16-bit
RDM control	DMX setup, hour counter, temperature
Fan	High efficiency convection, super silent fan with 3 speed presets
Software [Mini-USB]	Fixture status, firmware upgrade through PC
Ambient operating temperature	0° - 40°C / 32°-104°F
Estimated LED lifetime	50,000 hrs

Mechanical Data

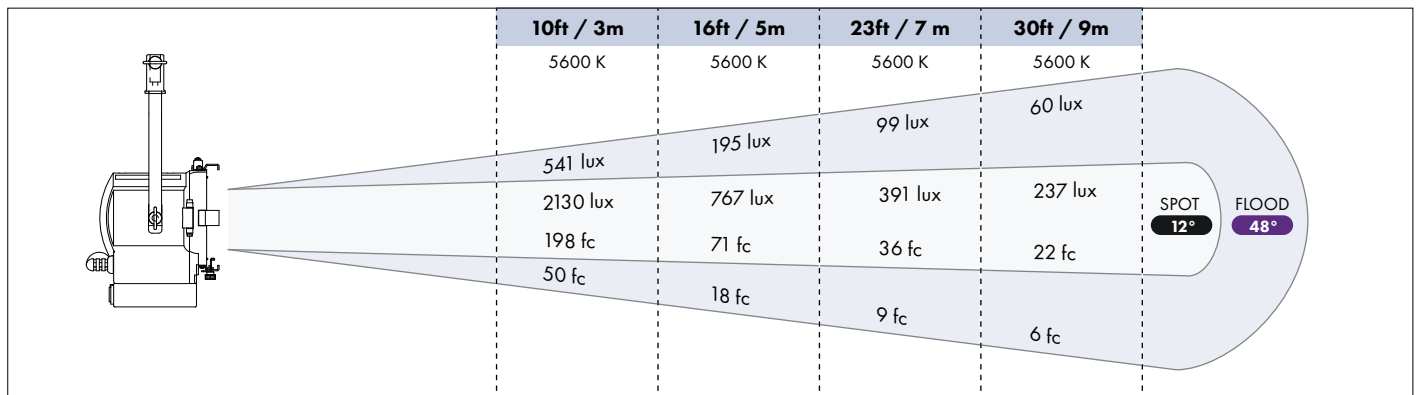
Mounting - standard	Yoke with Baby Pin [16mm / 5/8"]
Mounting - pole operated	Pole Operated Yoke, Jr Pin [28 mm / 1 1/8"]
Weight - standard	3.5kg / 7.72lb
Weight - pole operated	5.0kg / 11lb
Tilt angle	+/- 90°
Barndoor diameter	168mm / 6.6"
Safety mesh	Stainless steel 25x25mm / 1x1"

Electrical

Nominal power draw	60W maximum
Power supply	Integrated, universal
Mains input	80 – 260 Vac, 50 – 60 Hz, autosensing
Power connection	powerCON TRUE 1 in
IP rating	IP20



Photometrics



Investing in LED fixtures brings immediate benefits: up to 85% energy savings; extended LED engine life vs halogen lamp; no external dimmers required; reduced HVAC requirements due to lack of heat.

All product, specs and data are subject to change without notice
©2022, Litepanels. All rights reserved.

STUDIO X2

Tungsten

Talent Light with Natural Quality

Litepanels **Studio X LED** Fresnels, engineered by world renowned broadcast lighting professionals Quartzcolor, deliver high-performance, directional, bright white light with precision spot to flood beam control and consistent quality.

Natural talent light with perfect skin tone rendering is achieved with high output COB LEDs to produce superior white light. With no variation in quality at any dimming level from 0-100%, Studio X Fresnels perfectly match ambient and practical set lighting to show talent in a naturally realistic light.

The Studio X2 Tungsten (3,200K) 60W Fresnel has a 5" lens in a practical compact chassis with spot-to-flood beam angle range of 12°-48°. The fixture output is similar to a 300W traditional tungsten Fresnel. Advanced thermal management ensures 50,000+ hours of LED engine life, while individual burn-in and calibration tests ensure quality and consistency.

With high-quality, single source wrap-around illumination, Studio X is the perfect choice to light your talent – naturally.



PERFECT TALENT LIGHT

- Pure, bright, and consistent white light
- Perfect skin tone rendering

FLAWLESS FRESNEL BEAM

- Even field throughout the zoom range
- Effective light control with barndoors

COMPLETE CONTROL

- DMX, RDM, and local control
- Accurate, fine dimming curve

ENDURING PERFORMANCE

- Installed in leading broadcast studios
- Advanced thermal management

Product Information

Part Number:	US	UK	EU
Standard Yoke Pole Operated	960-2302 960-2312	960-2202 960-2212	960-2102 960-2112
Description	Studio X2 Tungsten 60W LED Fresnel		
Includes	LCD graphic display and on-board control panel; 5-pin RDM-DMX in connector; PowerCON in connector; built-in universal power supply; 4-leaf rotating barndoor Ø 6.6" (168mm); 10ft (3m) powerCON True 1 cable. US version also includes: gel frame Ø 6.6" (168mm)		

Accessories

900-6801 X2 Gel frame Ø168mm	900-6802 X2 Scrim set Ø168mm	900-6803 X2 Cone w/ variable aperture Ø168mm	900-6804 X2 4-leaf rotating barndoor Ø168mm
--	--	--	---

Studio X2 Tungsten Specifications

Optical Data

LED engine	Tungsten COB
Lens	Fresnel 130mm / 5" Ø, low expansion borosilicate
Beam angle	12° - 48°
Correlated Color Temperature	3,200K
CRI	>90

Operational Data

Focus adjustment	Wire focus mechanism on Teflon bushing
Dimming control	PWM with 3 frequency presets, 0-100% continuously adjustable
Local control	Single dial (dimming) and keypad controller with backlit LCD display
Control connections	5-Pin XLR in and through, Mini-USB
DMX control	Dimming, 8-bit and 16-bit
RDM control	DMX setup, hour counter, temperature
Fan	High efficiency convection, super silent fan with 3 speed presets
Software [Mini-USB]	Fixture status, firmware upgrade through PC
Ambient operating temperature	0° - 40°C / 32°-104°F
Estimated LED lifetime	50,000 hrs

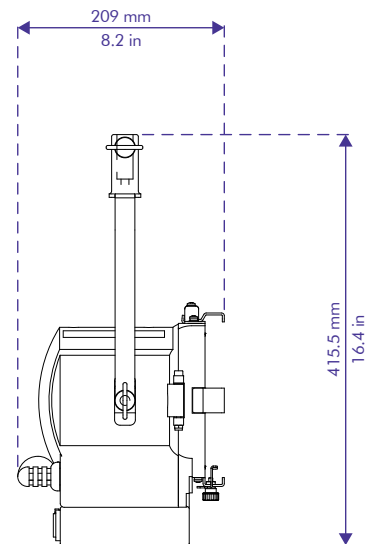
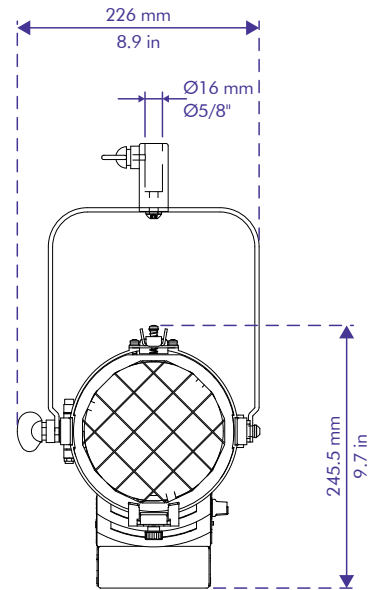
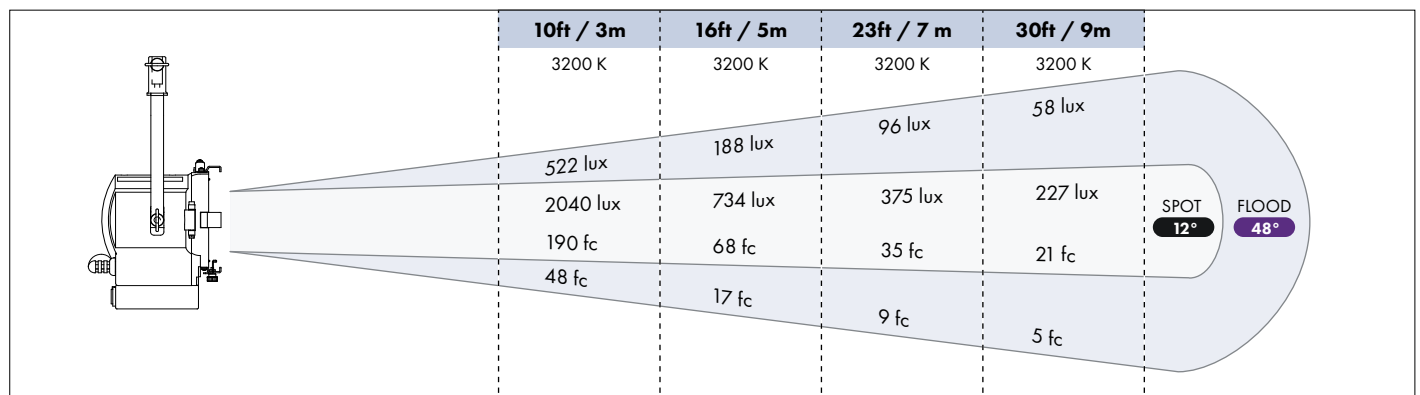
Mechanical Data

Mounting - standard	Yoke with Baby Pin [16mm / 5/8"]
Mounting - pole operated	Pole Operated Yoke, Jr Pin [28 mm / 1 1/8"]
Weight - standard	3.5kg / 7.72lb
Weight - pole operated	5.0kg / 11lb
Tilt angle	+/- 90°
Barndoor diameter	168mm / 6.6"
Safety mesh	Stainless steel 25x25mm / 1x1"

Electrical

Nominal power draw	60W maximum
Power supply	Integrated, universal
Mains input	80 – 260 Vac, 50 – 60 Hz, autosensing
Power connection	powerCON TRUE 1 in
IP rating	IP20

Photometrics



Investing in LED fixtures brings immediate benefits: up to 85% energy savings; extended LED engine life vs halogen lamp; no external dimmers required; reduced HVAC requirements due to lack of heat.

All product, specs and data are subject to change without notice
©2022, Litepanels. All rights reserved.

STUDIO X3

BI-COLOR

Talent Light with Natural Quality

Litepanels **Studio X LED** Fresnels, engineered by world renowned broadcast lighting professionals Quartzcolor, deliver high-performance, directional, bright white light with precision spot to flood beam control and consistent quality.

Natural talent light with perfect skin tone rendering is achieved with high output Bi-Color COB LEDs to produce superior white light. With no variation in quality at any dimming level from 0-100% or across the adjustable CCT range from **2700°K to 6500°K**, Studio X Bi-Color Fresnels perfectly match ambient and practical set lighting to show talent in a naturally realistic light.

The Studio X3 Bi-Color 100W has a 5" lens with a wide spot-to-flood beam angle range of 8°-53°. With a maximum output of 5,240 lux at 10ft/3m (spot 5,600K), its output at 3,200K is similar to a 500W traditional tungsten Fresnel. Advanced thermal management ensures 50,000+ hours of LED engine life, while individual burn-in and calibration tests ensure quality and consistency.

With high-quality, single source wrap-around illumination, Studio X is the perfect choice to light your talent – naturally.



PERFECT TALENT LIGHT

- Pure, bright, and consistent white light
- Perfect skin tone rendering

FLAWLESS FRESNEL BEAM

- Even field throughout the zoom range
- Effective light control with barndoors

COMPLETE CONTROL

- DMX, RDM, and local control
- Accurate, fine dimming curve

ENDURING PERFORMANCE

- Installed in leading broadcast studios
- Advanced thermal management

Product Information

Part Number:	US	UK	EU
Standard Yoke	960-3303	960-3203	960-3103
Pole Operated	960-3313	960-3213	960-3113
Description	Studio X3 Bi-Color 100W LED Fresnel		
Includes	LCD graphic display and on-board control panel; 5-pin RDM-DMX in/out connectors; PowerCON in/out connectors; built-in universal power supply; 4-leaf rotating barndoor Ø 7.9" (200mm); 10ft (3m) PowerCON True 1 cable. US version also includes: gel frame Ø 7.8" (198mm)		

Accessories

900-6805 X3 Gel frame Ø198mm	900-6806 X3 Scrim set Ø198mm	900-6807 X3 Cone w/ variable aperture Ø200mm	900-6808 X3 4-leaf rotating barndoor Ø200mm	900-6809 X3 8-leaf rotating barndoor Ø200mm
--	--	--	---	---

Studio X3 BI-COLOR Specifications

Optical Data

LED engine	Bi-Color COB
Lens	Fresnel 130mm / 5" Ø, low expansion borosilicate
Beam angle	8° - 53°
Correlated Color Temperature	Variable 2,700K to 6,500K
CRI	97
TLCI	97

Operational Data

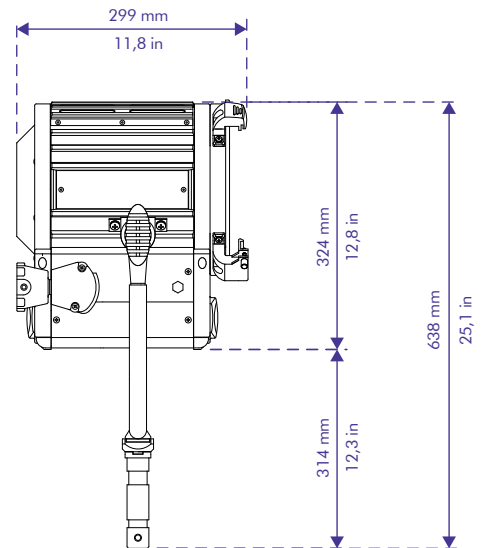
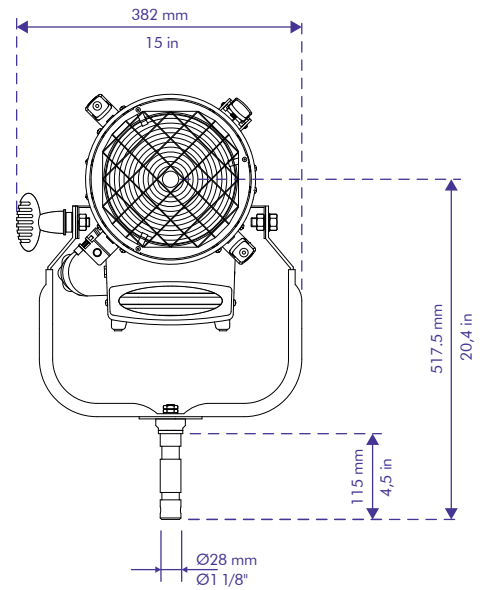
Focus adjustment	Wire focus mechanism on Teflon bushing
Dimming control	Constant Current 0-100% Continuous
Local control	Dual dial (dimming and CCT) and keypad controller with backlit LCD display
Control connections	5-Pin XLR in and through, Mini-USB
DMX control	Dimming, 8-bit and 16-bit
RDM control	DMX setup, hour counter, temperature
Fan	High efficiency convection, super silent fan with 3 speed presets
Software [Mini-USB]	Fixture status, firmware upgrade through PC
Ambient operating temperature	0° - 40°C / 32°-104°F
Estimated LED lifetime	50,000 hrs

Mechanical Data

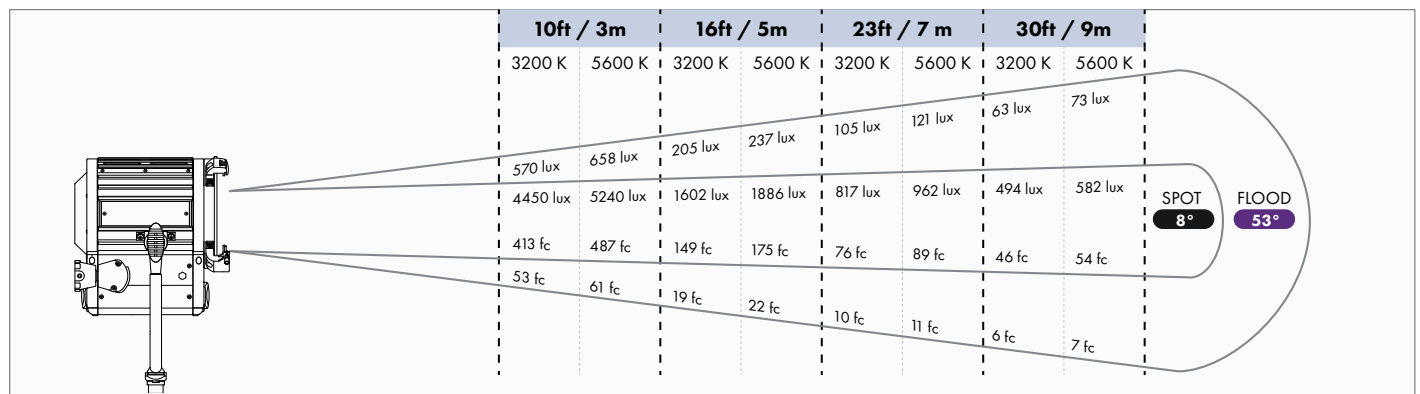
Mounting - standard	Yoke with lateral thrust bearing and lock off knob, Jr Pin [28mm / 1 1/8"]
Mounting - pole operated	Pole Operated Yoke, Jr Pin [28 mm / 1 1/8"]
Weight - standard	5.3kg / 11.68lb
Weight - pole operated	6.4kg / 14.1lb
Tilt angle	+/- 90°
Barndoor diameter	200mm / 7.9"
Safety mesh	Stainless steel 25x25mm / 1x1"

Electrical

Nominal power draw	100W maximum
Power supply	Integrated, universal
Mains input	90 – 260 Vac, 50/60 Hz, autosensing
Power connection	powerCON TRUE 1, in and through
IP rating	IP20



Photometrics



Investing in LED fixtures brings immediate benefits: up to 85% energy savings; extended LED engine life vs halogen lamp; no external dimmers required; reduced HVAC requirements due to lack of heat.

All product, specs and data are subject to change without notice
©2022, Litepanels. All rights reserved.

STUDIO X3

Daylight

Talent Light with Natural Quality

Litepanels **Studio X LED** Fresnels, engineered by world renowned broadcast lighting professionals Quartzcolor, deliver high-performance, directional, bright white light with precision spot to flood beam control and consistent quality.

Natural talent light with perfect skin tone rendering is achieved with high output COB LEDs to produce superior white light. With no variation in quality at any dimming level from 0-100%, Studio X Fresnels perfectly match ambient and practical set lighting to show talent in a naturally realistic light.

The Studio X3 Daylight (5,600K) 100W Fresnel has a 5" lens with a wide spot-to-flood beam angle range of 16°-56°. The fixture offers output of 3,170 lux at 10ft/3m (spot). Advanced thermal management ensures 50,000+ hours of LED engine life, while individual burn-in and calibration tests ensure quality and consistency.

With high-quality, single source wrap-around illumination, Studio X is the perfect choice to light your talent – naturally.



PERFECT TALENT LIGHT

- Pure, bright, and consistent white light
- Perfect skin tone rendering

FLAWLESS FRESNEL BEAM

- Even field throughout the zoom range
- Effective light control with barndoors

COMPLETE CONTROL

- DMX, RDM, and local control
- Accurate, fine dimming curve

ENDURING PERFORMANCE

- Installed in leading broadcast studios
- Advanced thermal management

Product Information

Part Number:	US	UK	EU
Standard Yoke	960-3301	960-3201	960-3101
Pole Operated	960-3311	960-3211	960-3111
Description	Studio X3 Daylight 100W LED Fresnel		
Includes	LCD graphic display and on-board control panel; 5-pin RDM-DMX in/out connectors; PowerCON in/out connectors; built-in universal power supply; 4-leaf rotating barndoor Ø 7.9" (200mm); 10ft (3m) PowerCON True 1 cable. US version also includes: gel frame Ø 7.8" (198mm)		

Accessories

900-6805 X3 Gel frame Ø198mm	900-6806 X3 Scrim set Ø198mm	900-6807 X3 Cone w/ variable aperture Ø200mm	900-6808 X3 4-leaf rotating barndoor Ø200mm	900-6809 X3 8-leaf rotating barn-door Ø200mm
--	--	--	---	--

Studio X3 Daylight Specifications

Optical Data

LED engine	Daylight COB
Lens	Fresnel 130mm / 5" Ø, low expansion borosilicate
Beam angle	16° - 56°
Correlated Color Temperature	5,600K
CRI	>90

Operational Data

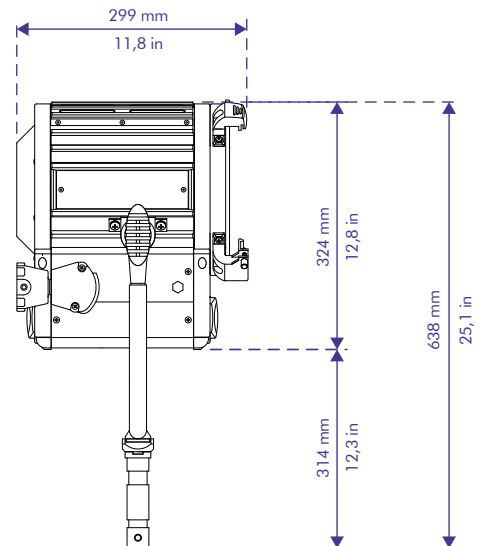
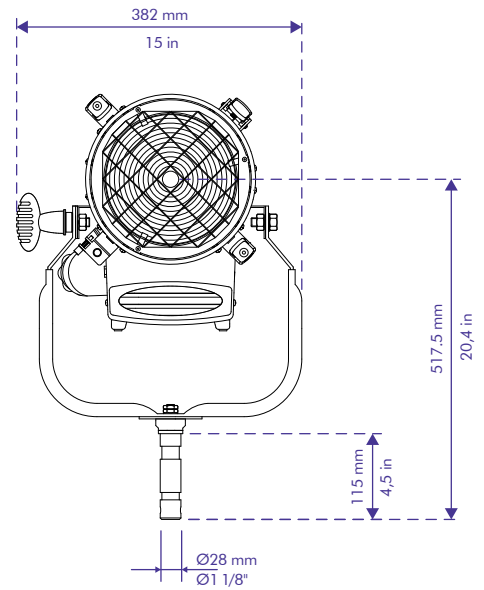
Focus adjustment	Wire focus mechanism on Teflon bushing
Dimming control	Constant Current 0-100% Continuous
Local control	Single dial (dimming) and keypad controller with backlit LCD display
Control connections	5-Pin XLR in and through, Mini-USB
DMX control	Dimming, 8-bit and 16-bit
RDM control	DMX setup, hour counter, temperature
Fan	High efficiency convection, super silent fan with 3 speed presets
Software [Mini-USB]	Fixture status, firmware upgrade through PC
Ambient operating temperature	0° - 40°C / 32°-104°F
Estimated LED lifetime	50,000 hrs

Mechanical Data

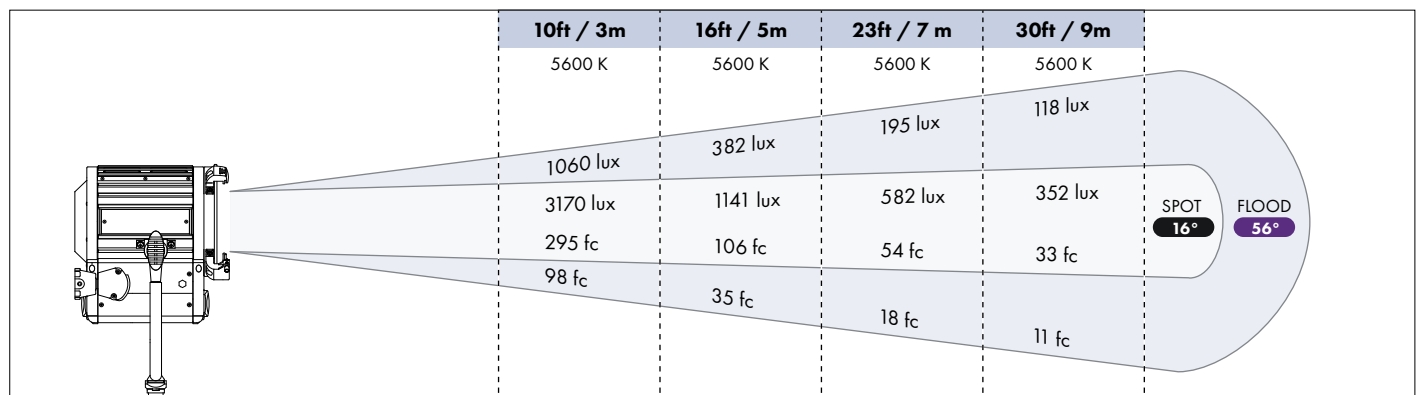
Mounting - standard	Yoke with lateral thrust bearing and lock off knob, Jr Pin [28mm / 1 1/8"]
Mounting - pole operated	Pole Operated Yoke, Jr Pin [28 mm / 1 1/8"]
Weight - standard	5.3kg / 11.68lb
Weight - pole operated	6.4kg / 14.1lb
Tilt angle	+/- 90°
Barndoor diameter	200mm / 7.9"
Safety mesh	Stainless steel 25x25mm / 1x1"

Electrical

Nominal power draw	100W maximum
Power supply	Integrated, universal
Mains input	90 – 260 Vac, 50/60 Hz, autosensing
Power connection	powerCON TRUE 1, in and through
IP rating	IP20



Photometrics



Investing in LED fixtures brings immediate benefits: up to 85% energy savings; extended LED engine life vs halogen lamp; no external dimmers required; reduced HVAC requirements due to lack of heat.

All product, specs and data are subject to change without notice
©2022, Litepanels. All rights reserved.

STUDIO X3

Tungsten

Talent Light with Natural Quality

Litepanels **Studio X LED** Fresnels, engineered by world renowned broadcast lighting professionals Quartzcolor, deliver high-performance, directional, bright white light with precision spot to flood beam control and consistent quality.

Natural talent light with perfect skin tone rendering is achieved with high output COB LEDs to produce superior white light. With no variation in quality at any dimming level from 0-100%, Studio X Fresnels perfectly match ambient and practical set lighting to show talent in a naturally realistic light.

The Studio X3 Tungsten (3,200K) 100W Fresnel has a 5" lens with a wide spot-to-flood beam angle range of 16°-56°. The fixture output is similar to a 500W traditional tungsten Fresnel. Advanced thermal management ensures 50,000+ hours of LED engine life, while individual burn-in and calibration tests ensure quality and consistency.

With high-quality, single source wrap-around illumination, Studio X is the perfect choice to light your talent – naturally.



PERFECT TALENT LIGHT

- Pure, bright, and consistent white light
- Perfect skin tone rendering

FLAWLESS FRESNEL BEAM

- Even field throughout the zoom range
- Effective light control with barndoors

COMPLETE CONTROL

- DMX, RDM, and local control
- Accurate, fine dimming curve

ENDURING PERFORMANCE

- Installed in leading broadcast studios
- Advanced thermal management

Product Information

Part Number:	US	UK	EU
Standard Yoke	960-3302	960-3202	960-3102
Pole Operated	960-3312	960-3212	960-3112
Description	Studio X3 Tungsten 100W LED Fresnel		
Includes	LCD graphic display and on-board control panel; 5-pin RDM-DMX in/out connectors; PowerCON in/out connectors; built-in universal power supply; 4-leaf rotating barndoor Ø 7.9" (200mm); 10ft (3m) PowerCON True 1 cable. US version also includes: gel frame Ø 7.8" (198mm)		

Accessories

900-6805 X3 Gel frame Ø198mm	900-6806 X3 Scrim set Ø198mm	900-6807 X3 Cone w/ variable aperture Ø200mm	900-6808 X3 4-leaf rotating barndoor Ø200mm	900-6809 X3 8-leaf rotating barn-door Ø200mm
--	--	--	---	--

Studio X3 Tungsten Specifications

Optical Data

LED engine	Tungsten COB
Lens	Fresnel 130mm / 5" Ø, low expansion borosilicate
Beam angle	16° - 56°
Correlated Color Temperature	3,200K
CRI	>90

Operational Data

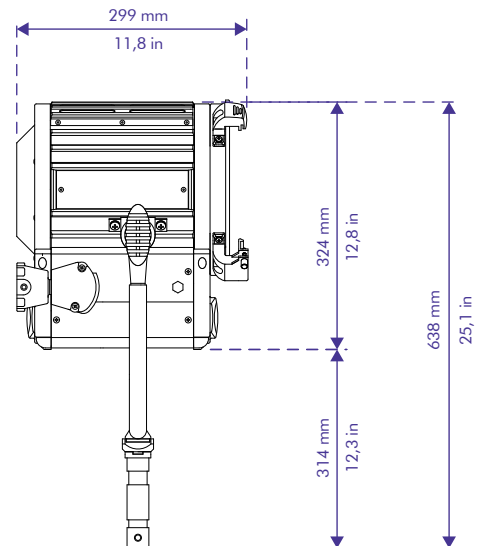
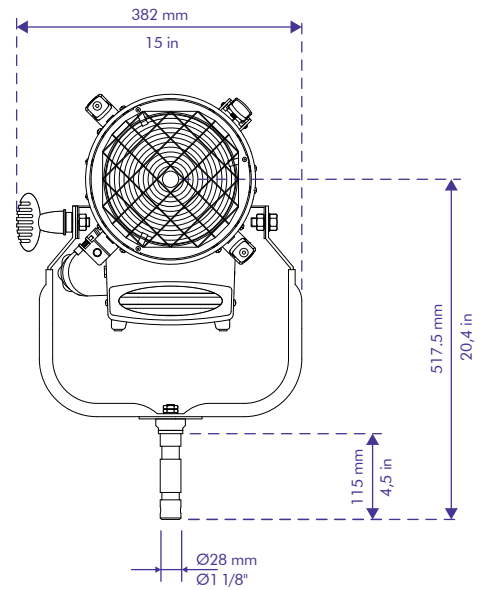
Focus adjustment	Wire focus mechanism on Teflon bushing
Dimming control	Constant Current 0-100% Continuous
Local control	Single dial (dimming) and keypad controller with backlit LCD display
Control connections	5-Pin XLR in and through, Mini-USB
DMX control	Dimming, 8-bit and 16-bit
RDM control	DMX setup, hour counter, temperature
Fan	High efficiency convection, super silent fan with 3 speed presets
Software [Mini-USB]	Fixture status, firmware upgrade through PC
Ambient operating temperature	0° - 40°C / 32°-104°F
Estimated LED lifetime	50,000 hrs

Mechanical Data

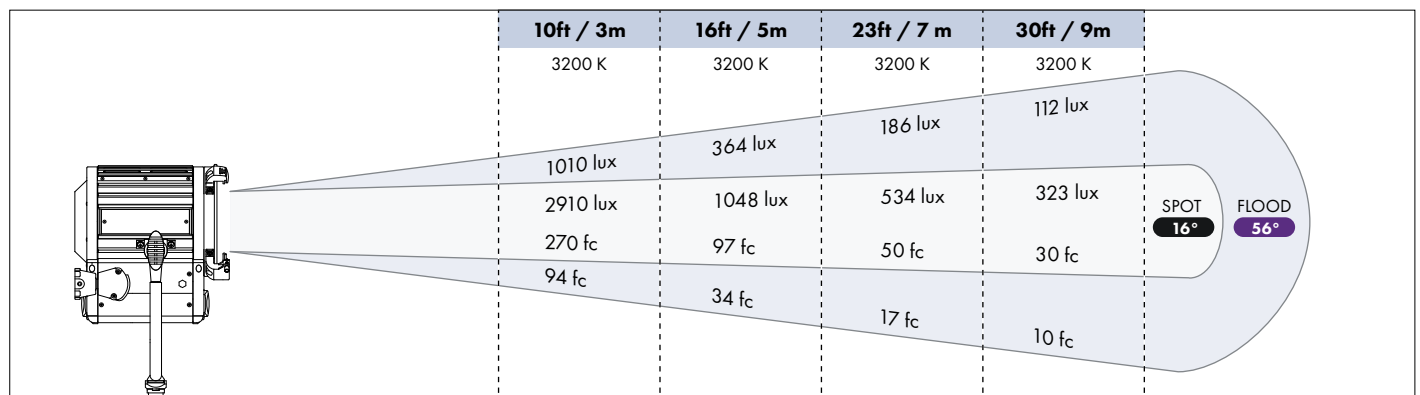
Mounting - standard	Yoke with lateral thrust bearing and lock off knob, Jr Pin [28mm / 1 1/8"]
Mounting - pole operated	Pole Operated Yoke, Jr Pin [28 mm / 1 1/8"]
Weight - standard	5.3kg / 11.68lb
Weight - pole operated	6.4kg / 14.1lb
Tilt angle	+/- 90°
Barndoor diameter	200mm / 7.9"
Safety mesh	Stainless steel 25x25mm / 1x1"

Electrical

Nominal power draw	100W maximum
Power supply	Integrated, universal
Mains input	90 – 260 Vac, 50/60 Hz, autosensing
Power connection	powerCON TRUE 1, in and through
IP rating	IP20



Photometrics



Investing in LED fixtures brings immediate benefits: up to 85% energy savings; extended LED engine life vs halogen lamp; no external dimmers required; reduced HVAC requirements due to lack of heat.

All product, specs and data are subject to change without notice
©2022, Litepanels. All rights reserved.

STUDIO X4

BI-COLOR

Talent Light with Natural Quality

Litepanels **Studio X LED** Fresnels, engineered by world renowned broadcast lighting professionals Quartzcolor, deliver high-performance, directional, bright white light with precision spot to flood beam control and consistent quality.

Natural talent light with perfect skin tone rendering is achieved with high output Bi-Color COB LEDs to produce superior white light. With no variation in quality at any dimming level from 0-100% or across the adjustable CCT range from **2700°K to 6500°K**, Studio X Bi-Color Fresnels perfectly match ambient and practical set lighting to show talent in a naturally realistic light.

The Studio X4 Bi-Color 150W has a 7" lens with a spot-to-flood beam angle range of 10°-45°. With a maximum output of 8,630 lux at 10ft/3m (spot 5,600K), its output at 3,200K is similar to a 650W traditional tungsten Fresnel. Advanced thermal management ensures 50,000+ hours of LED engine life, while individual burn-in and calibration tests ensure quality and consistency.

With high-quality, single source wrap-around illumination, Studio X is the perfect choice to light your talent – naturally.



PERFECT TALENT LIGHT

- Pure, bright, and consistent white light
- Perfect skin tone rendering

FLAWLESS FRESNEL BEAM

- Even field throughout the zoom range
- Effective light control with barndoors

COMPLETE CONTROL

- DMX, RDM, and local control
- Accurate, fine dimming curve

ENDURING PERFORMANCE

- Installed in leading broadcast studios
- Advanced thermal management

Product Information

Part Number:	US	UK	EU
Standard Yoke	960-4303	960-4203	960-4103
Pole Operated	960-4313	960-4213	960-4113
Description	Studio X4 Bi-Color 150W LED Fresnel		
Includes	LCD graphic display and on-board control panel; 5-pin RDM-DMX in/out connectors; Powercon in/out connectors; built-in universal power supply; 4-leaf rotating barndoor Ø 10.6" (269mm); 10ft (3m) PowerCON True 1 cable. US version also includes: gel frame Ø 10.2" (258mm)		

Accessories

900-6810 X4 Gel frame Ø258mm	900-6811 X4 Scrim set Ø258mm	900-6812 X4 Cone w/ variable aperture Ø269mm	900-6813 X4 4-leaf rotating barn-door Ø269mm	900-6814 X4 8-leaf rotating barn-door Ø269mm
--	--	--	--	--

Studio X4 BI-COLOR Specifications

Optical Data

LED engine	Bi-Color COB
Lens	Fresnel 175mm / 7" Ø, low expansion borosilicate
Beam angle	10° - 45°
Correlated Color Temperature	Variable 2,700K to 6,500K
CRI	97
TLCI	97

Operational Data

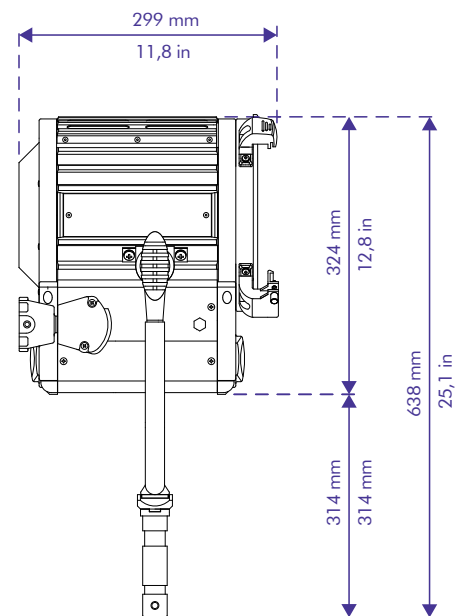
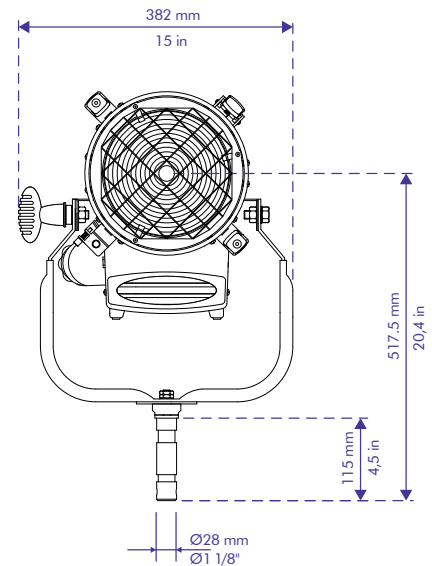
Focus adjustment	Wire focus mechanism on Teflon bushing
Dimming control	Constant Current 0-100% Continuous
Local control	Dual dial (dimming and CCT) and keypad controller with backlit LCD display
Control connections	5-Pin XLR in and through, Mini-USB
DMX control	Dimming and CCT, 8-bit and 16-bit
RDM control	DMX setup, hour counter, temperature
Fan	High efficiency convection, super silent fan with 3 speed presets
Software [Mini-USB]	Fixture status, firmware upgrade through PC
Ambient operating temperature	0° - 40°C / 32°-104°F
Estimated LED lifetime	50,000 hrs

Mechanical Data

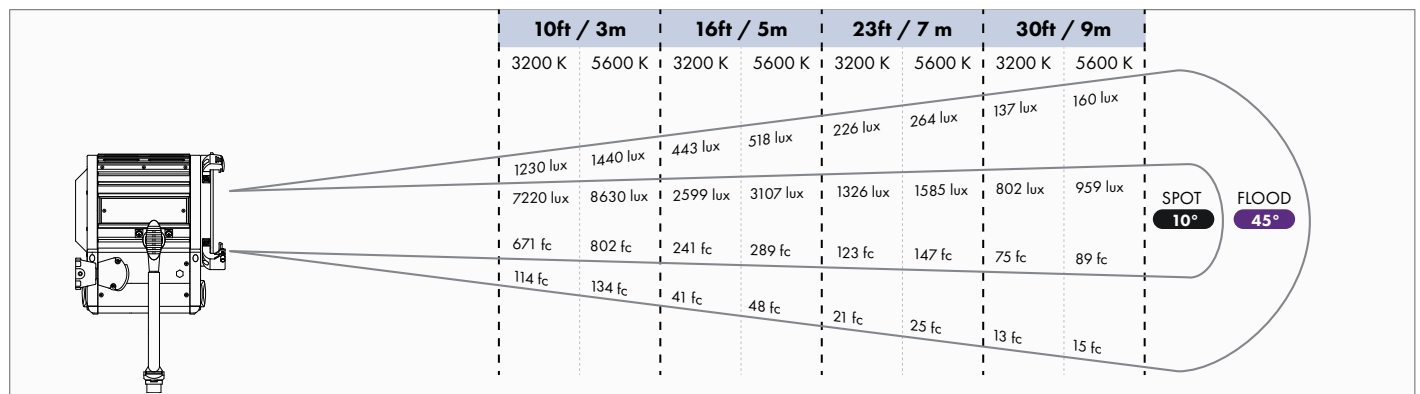
Mounting - standard	Yoke with lateral thrust bearing and lock off knob, Jr Pin [28mm / 1 1/8"]
Mounting - pole operated	Pole Operated Yoke, Jr Pin [28 mm / 1 1/8"]
Weight - standard	9.3kg / 20.5lb
Weight - pole operated	10.3kg / 22.7lb
Tilt angle	+/- 90°
Barndoor diameter	269mm / 10.6"
Safety mesh	Stainless steel 25x25mm / 1x1"

Electrical

Nominal power draw	150W maximum
Power supply	Integrated, universal
Mains input	90 – 260 Vac, 50/60 Hz, autosensing
Power connection	powerCON TRUE 1, in and through
IP rating	IP20



Photometrics



Investing in LED fixtures brings immediate benefits: up to 85% energy savings; extended LED engine life vs halogen lamp; no external dimmers required; reduced HVAC requirements due to lack of heat.

All product, specs and data are subject to change without notice
©2022, Litepanels. All rights reserved.

STUDIO X4

Daylight

Talent Light with Natural Quality

Litepanels **Studio X LED** Fresnels, engineered by world renowned broadcast lighting professionals Quartzcolor, deliver high-performance, directional, bright white light with precision spot to flood beam control and consistent quality.

Natural talent light with perfect skin tone rendering is achieved with high output COB LEDs to produce superior white light. With no variation in quality at any dimming level from 0-100%, Studio X Fresnels perfectly match ambient and practical set lighting to show talent in a naturally realistic light.

The Studio X4 Daylight (5,600K) 150W Fresnel has a 7" lens with spot-to-flood beam angle range of 14.5°-43.5°. The fixture offers output of 7,310 lux at 10ft/3m (spot). Advanced thermal management ensures 50,000+ hours of LED engine life, while individual burn-in and calibration tests ensure quality and consistency.

With high-quality, single source wrap-around illumination, Studio X is the perfect choice to light your talent – naturally.



PERFECT TALENT LIGHT

- Pure, bright, and consistent white light
- Perfect skin tone rendering

FLAWLESS FRESNEL BEAM

- Even field throughout the zoom range
- Effective light control with barndoors

COMPLETE CONTROL

- DMX, RDM, and local control
- Accurate, fine dimming curve

ENDURING PERFORMANCE

- Installed in leading broadcast studios
- Advanced thermal management

Product Information

Part Number:	US	UK	EU
Standard Yoke	960-4301	960-4201	960-4101
Pole Operated	960-4311	960-4211	960-4111
Description	Studio X4 Daylight 150W LED Fresnel		
Includes	LCD graphic display and on-board control panel; 5-pin RDM-DMX in/out connectors; Powercon in/out connectors; built-in universal power supply; 4-leaf rotating barndoor Ø 10.6" (269mm); 10ft (3m) PowerCON True 1 cable. US version also includes: gel frame Ø 10.2" (258mm)		

Accessories

900-6810 X4 Gel frame Ø258mm	900-6811 X4 Scrim set Ø258mm	900-6812 X4 Cone w/ variable aperture Ø269mm	900-6813 X4 4-leaf rotating barn-door Ø269mm	900-6814 X4 8-leaf rotating barn-door Ø269mm
--	--	--	--	--

Studio X4 Daylight Specifications

Optical Data

LED engine	Daylight COB
Lens	Fresnel 175mm / 7" Ø, low expansion borosilicate
Beam angle	14.5° - 43.5°
Correlated Color Temperature	5,600K
CRI	>90

Operational Data

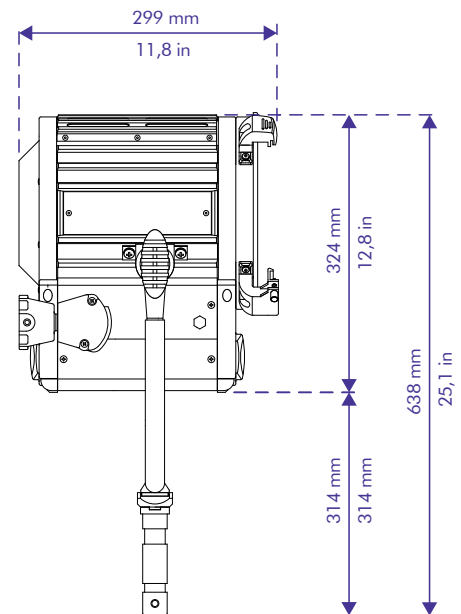
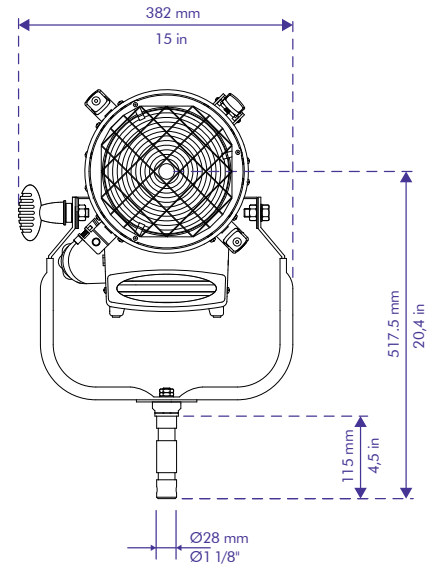
Focus adjustment	Wire focus mechanism on Teflon bushing
Dimming control	Constant Current 0-100% Continuous
Local control	Single dial (dimming) and keypad controller with backlit LCD display
Control connections	5-Pin XLR in and through, Mini-USB
DMX control	Dimming, 8-bit and 16-bit
RDM control	DMX setup, hour counter, temperature
Fan	High efficiency convection, super silent fan with 3 speed presets
Software [Mini-USB]	Fixture status, firmware upgrade through PC
Ambient operating temperature	0° - 40°C / 32° - 104°F
Estimated LED lifetime	50,000 hrs

Mechanical Data

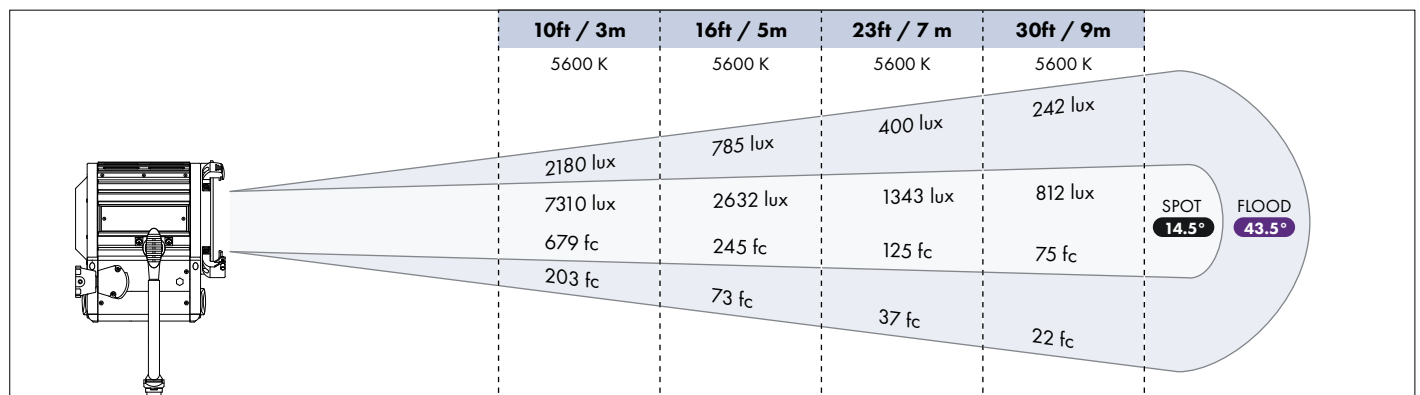
Mounting - standard	Yoke with lateral thrust bearing and lock off knob, Jr Pin [28mm / 1 1/8"]
Mounting - pole operated	Pole Operated Yoke, Jr Pin [28 mm / 1 1/8"]
Weight - standard	9.3kg / 20.5lb
Weight - pole operated	10.3kg / 22.7lb
Tilt angle	+/- 90°
Barndoor diameter	269mm / 10.6"
Safety mesh	Stainless steel 25x25mm / 1x1"

Electrical

Nominal power draw	150W maximum
Power supply	Integrated, universal
Mains input	90 – 260 Vac, 50/60 Hz, autosensing
Power connection	powerCON TRUE 1, in and through
IP rating	IP20



Photometrics



Investing in LED fixtures brings immediate benefits: up to 85% energy savings; extended LED engine life vs halogen lamp; no external dimmers required; reduced HVAC requirements due to lack of heat.

All product, specs and data are subject to change without notice
©2022, Litepanels. All rights reserved.

STUDIO X4

Tungsten

Talent Light with Natural Quality

Litepanels **Studio X LED** Fresnels, engineered by world renowned broadcast lighting professionals Quartzcolor, deliver high-performance, directional, bright white light with precision spot to flood beam control and consistent quality.

Natural talent light with perfect skin tone rendering is achieved with high output COB LEDs to produce superior white light. With no variation in quality at any dimming level from 0-100%, Studio X Fresnels perfectly match ambient and practical set lighting to show talent in a naturally realistic light.

The Studio X4 Tungsten (3,200K) 150W Fresnel has a 7" lens with spot-to-flood beam angle range of 14.5°-43.5°. The fixture output is similar to a 650W traditional tungsten Fresnel. Advanced thermal management ensures 50,000+ hours of LED engine life, while individual burn-in and calibration tests ensure quality and consistency.

With high-quality, single source wrap-around illumination, Studio X is the perfect choice to light your talent – naturally.



PERFECT TALENT LIGHT

- Pure, bright, and consistent white light
- Perfect skin tone rendering

FLAWLESS FRESNEL BEAM

- Even field throughout the zoom range
- Effective light control with barndoors

COMPLETE CONTROL

- DMX, RDM, and local control
- Accurate, fine dimming curve

ENDURING PERFORMANCE

- Installed in leading broadcast studios
- Advanced thermal management

Product Information

Part Number:	US	UK	EU
Standard Yoke	960-4302	960-4202	960-4102
Pole Operated	960-4312	960-4212	960-4112
Description	Studio X4 Tungsten 150W LED Fresnel		
Includes	LCD graphic display and on-board control panel; 5-pin RDM-DMX in/out connectors; Powercon in/out connectors; built-in universal power supply; 4-leaf rotating barndoor Ø 10.6" (269mm); 10ft (3m) PowerCON True 1 cable. US version also includes: gel frame Ø 10.2" (258mm)		

Accessories

900-6810 X4 Gel frame Ø258mm	900-6811 X4 Scrim set Ø258mm	900-6812 X4 Cone w/ variable aperture Ø269mm	900-6813 X4 4-leaf rotating barn-door Ø269mm	900-6814 X4 8-leaf rotating barn-door Ø269mm
--	--	--	--	--

Studio X4 Tungsten Specifications

Optical Data

LED engine	Tungsten COB
Lens	Fresnel 175mm / 7" Ø, low expansion borosilicate
Beam angle	14.5° - 43.5°
Correlated Color Temperature	3,200K
CRI	>90

Operational Data

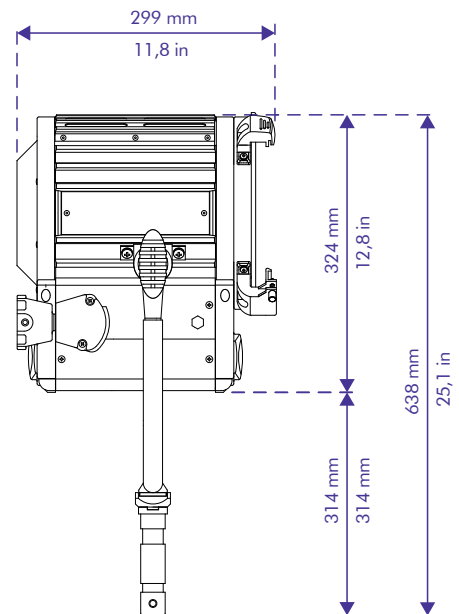
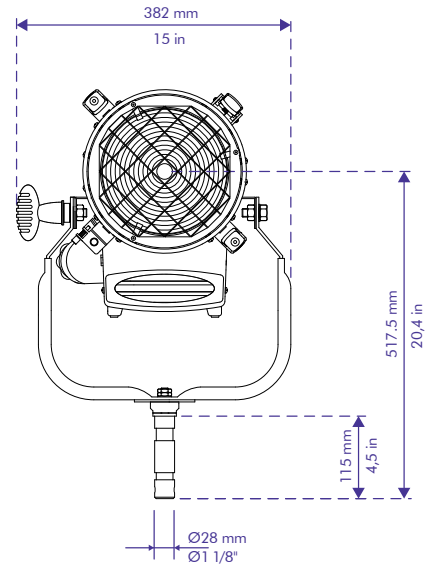
Focus adjustment	Wire focus mechanism on Teflon bushing
Dimming control	Constant Current 0-100% Continuous
Local control	Single dial (dimming) and keypad controller with backlit LCD display
Control connections	5-Pin XLR in and through, Mini-USB
DMX control	Dimming, 8-bit and 16-bit
RDM control	DMX setup, hour counter, temperature
Fan	High efficiency convection, super silent fan with 3 speed presets
Software [Mini-USB]	Fixture status, firmware upgrade through PC
Ambient operating temperature	0° - 40°C / 32°-104°F
Estimated LED lifetime	50,000 hrs

Mechanical Data

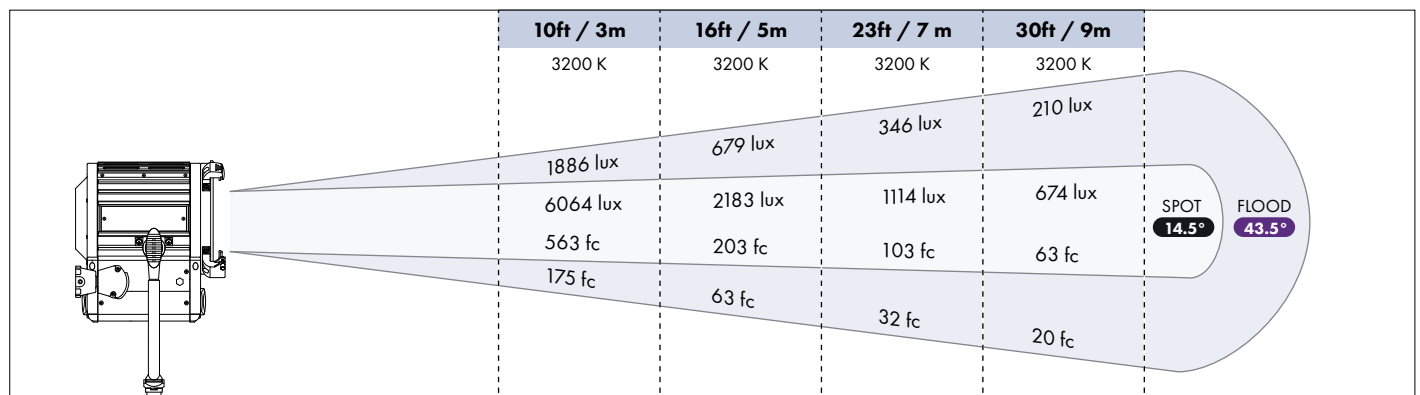
Mounting - standard	Yoke with lateral thrust bearing and lock off knob, Jr Pin [28mm / 1 1/8"]
Mounting - pole operated	Pole Operated Yoke, Jr Pin [28 mm / 1 1/8"]
Weight - standard	9.3kg / 20.5lb
Weight - pole operated	10.3kg / 22.7lb
Tilt angle	+/- 90°
Barndoor diameter	269mm / 10.6"
Safety mesh	Stainless steel 25x25mm / 1x1"

Electrical

Nominal power draw	150W maximum
Power supply	Integrated, universal
Mains input	90 – 260 Vac, 50/60 Hz, autosensing
Power connection	powerCON TRUE 1, in and through
IP rating	IP20



Photometrics



Investing in LED fixtures brings immediate benefits: up to 85% energy savings; extended LED engine life vs halogen lamp; no external dimmers required; reduced HVAC requirements due to lack of heat.

All product, specs and data are subject to change without notice
©2022, Litepanels. All rights reserved.

STUDIO X5

Daylight

Talent Light with Natural Quality

Litepanels **Studio X LED** Fresnels, engineered by world renowned broadcast lighting professionals Quartzcolor, deliver high-performance, directional, bright white light with precision spot to flood beam control and consistent quality.

Natural talent light with perfect skin tone rendering is achieved with high output COB LEDs to produce superior white light. With no variation in quality at any dimming level from 0-100%, Studio X Fresnels perfectly match ambient and practical set lighting to show talent in a naturally realistic light.

The Studio X5 Daylight (5,600K) 200W Fresnel has a 10" lens with a wide spot-to-flood beam angle range of 16°-67°. The fixture offers output of 9,560 lux at 10ft/3m (spot). Advanced thermal management ensures 50,000+ hours of LED engine life, while individual burn-in and calibration tests ensure quality and consistency.

With high-quality, single source wrap-around illumination, Studio X is the perfect choice to light your talent – naturally.



PERFECT TALENT LIGHT

- Pure, bright, and consistent white light
- Perfect skin tone rendering

FLAWLESS FRESNEL BEAM

- Even field throughout the zoom range
- Effective light control with barndoors

COMPLETE CONTROL

- DMX, RDM, and local control
- Accurate, fine dimming curve

ENDURING PERFORMANCE

- Installed in leading broadcast studios
- Advanced thermal management

Product Information

Part Number:	US	UK	EU
Standard Yoke	960-5301	960-5201	960-5101
Pole Operated	960-5311	960-5211	960-5111
Description	Studio X5 Daylight 200W LED Fresnel		
Includes	LCD graphic display and on-board control panel; 5-pin RDM-DMX in/out connectors; Powercon in/out connectors; built-in universal power supply; 4-leaf rotating barndoor Ø 12.7" (323mm); 10ft (3m) PowerCON True 1 cable. US version also includes: gel frame Ø 12.7" (323mm)		

Accessories

900-6815	900-6816	900-6817	900-6818	900-6819	900-6820	900-6821
X5 & X6 Gel frame Ø323mm	X5 & X6 Scrim set Ø320mm	X5 & X6 Cone small aperture Ø323mm	X5 & X6 Cone medium aperture Ø323mm	X5 & X6 Cone large aperture Ø323mm	X5 & X6 4-leaf rotating barndoor Ø323mm	X5 & X6 8-leaf rotating barndoor Ø323mm

Studio X5 Daylight Specifications

Optical Data

LED engine	Daylight COB
Lens	Fresnel 250mm / 10" Ø, low expansion borosilicate
Beam angle	16° - 67°
Correlated Color Temperature	5,600K
CRI	>90

Operational Data

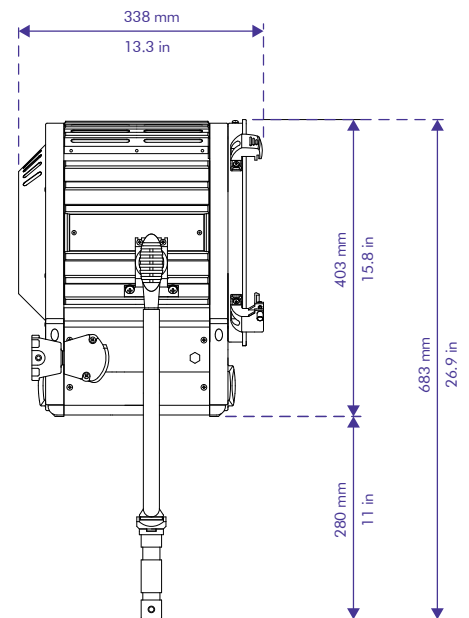
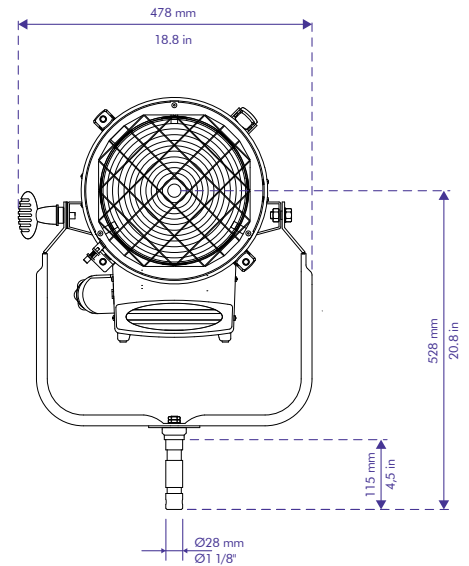
Focus adjustment	Wire focus mechanism on Teflon bushing
Dimming control	Constant Current 0-100% Continuous
Local control	Single dial (dimming) and keypad controller with backlit LCD display
Control connections	5-Pin XLR in and through, Mini-USB
DMX control	Dimming, 8-bit and 16-bit
RDM control	DMX setup, hour counter, temperature
Fan	High efficiency convection, super silent fan with 3 speed presets
Software [Mini-USB]	Fixture status, firmware upgrade through PC
Ambient operating temperature	0° - 40°C / 32°-104°F
Estimated LED lifetime	50,000 hrs

Mechanical Data

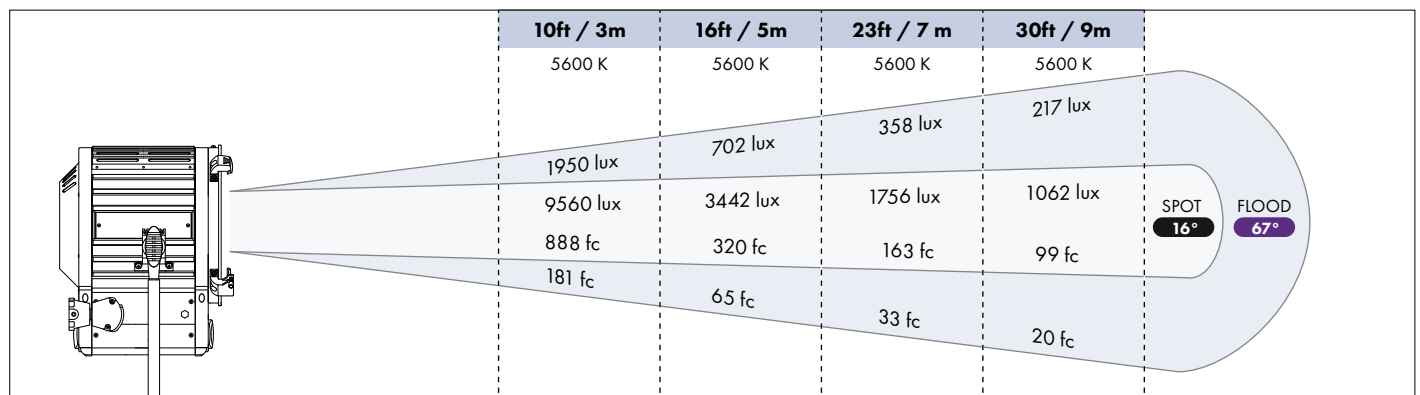
Mounting - standard	Yoke with lateral thrust bearing and lock off knob, Jr Pin [28mm / 1 1/8"]
Mounting - pole operated	Pole Operated Yoke, Jr Pin [28 mm / 1 1/8"]
Weight - standard	12.7kg / 28lb
Weight - pole operated	13.6kg / 29.98lb
Tilt angle	+/- 90°
Barndoor diameter	323mm / 12.7"
Safety mesh	Stainless steel 25x25mm / 1x1"

Electrical

Nominal power draw	200W maximum
Power supply	Integrated, universal
Mains input	90 – 260 Vac, 50/60 Hz, autosensing
Power connection	powerCON TRUE 1, in and through
IP rating	IP20



Photometrics



Investing in LED fixtures brings immediate benefits: up to 85% energy savings; extended LED engine life vs halogen lamp; no external dimmers required; reduced HVAC requirements due to lack of heat.

All product, specs and data are subject to change without notice
©2022, Litepanels. All rights reserved.

STUDIO X5

Tungsten

Talent Light with Natural Quality

Litepanels **Studio X LED** Fresnels, engineered by world renowned broadcast lighting professionals Quartzcolor, deliver high-performance, directional, bright white light with precision spot to flood beam control and consistent quality.

Natural talent light with perfect skin tone rendering is achieved with high output COB LEDs to produce superior white light. With no variation in quality at any dimming level from 0-100%, Studio X Fresnels perfectly match ambient and practical set lighting to show talent in a naturally realistic light.

The Studio X5 Tungsten (3,200K) 200W Fresnel has a 10" lens with a wide spot-to-flood beam angle range of 16°-67°. The fixture output is similar to a 1KW traditional tungsten Fresnel. Advanced thermal management ensures 50,000+ hours of LED engine life, while individual burn-in and calibration tests ensure quality and consistency.

With high-quality, single source wrap-around illumination, Studio X is the perfect choice to light your talent – naturally.



PERFECT TALENT LIGHT

- Pure, bright, and consistent white light
- Perfect skin tone rendering

FLAWLESS FRESNEL BEAM

- Even field throughout the zoom range
- Effective light control with barndoors

COMPLETE CONTROL

- DMX, RDM, and local control
- Accurate, fine dimming curve

ENDURING PERFORMANCE

- Installed in leading broadcast studios
- Advanced thermal management

Product Information

Part Number:	US	UK	EU
Standard Yoke	960-5302	960-5202	960-5102
Pole Operated	960-5312	960-5212	960-5112
Description	Studio X5 Tungsten 200W LED Fresnel		
Includes	LCD graphic display and on-board control panel; 5-pin RDM-DMX in/out connectors; Powercon in/out connectors; built-in universal power supply; 4-leaf rotating barndoor Ø 12.7" (323mm); 10ft (3m) PowerCON True 1 cable. US version also includes: gel frame Ø 12.7" (323mm)		

Accessories

900-6815	900-6816	900-6817	900-6818	900-6819	900-6820	900-6821
X5 & X6 Gel frame Ø323mm	X5 & X6 Scrim set Ø320mm	X5 & X6 Cone small aperture Ø323mm	X5 & X6 Cone medium aperture Ø323mm	X5 & X6 Cone large aperture Ø323mm	X5 & X6 4-leaf rotating barndoor Ø323mm	X5 & X6 8-leaf rotating barndoor Ø323mm

Studio X5 Tungsten Specifications

Optical Data

LED engine	Tungsten COB
Lens	Fresnel 250mm / 10" Ø, low expansion borosilicate
Beam angle	16° - 67°
Correlated Color Temperature	3,200K
CRI	>90

Operational Data

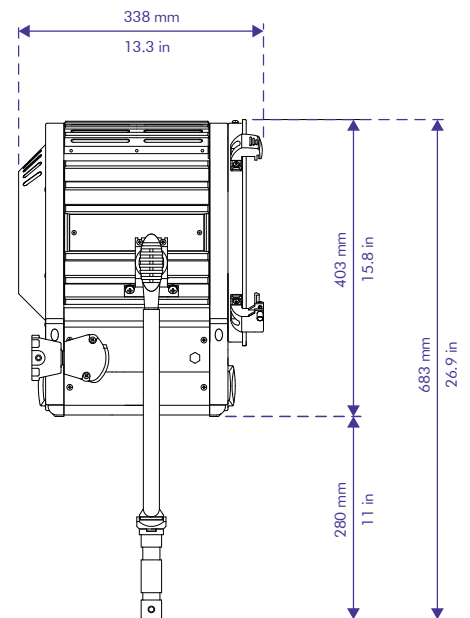
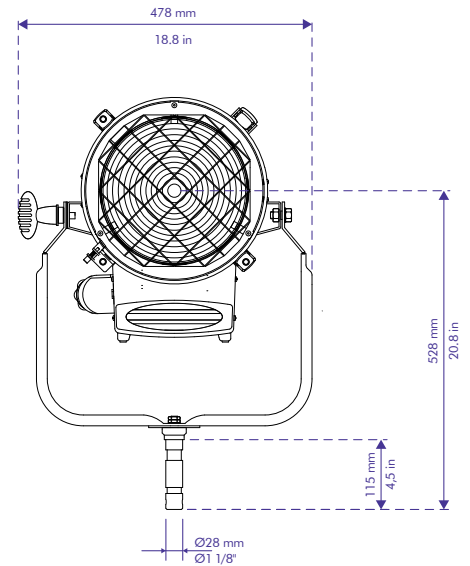
Focus adjustment	Wire focus mechanism on Teflon bushing
Dimming control	Constant Current 0-100% Continuous
Local control	Single dial (dimming) and keypad controller with backlit LCD display
Control connections	5-Pin XLR in and through, Mini-USB
DMX control	Dimming, 8-bit and 16-bit
RDM control	DMX setup, hour counter, temperature
Fan	High efficiency convection, super silent fan with 3 speed presets
Software [Mini-USB]	Fixture status, firmware upgrade through PC
Ambient operating temperature	0° - 40°C / 32°-104°F
Estimated LED lifetime	50,000 hrs

Mechanical Data

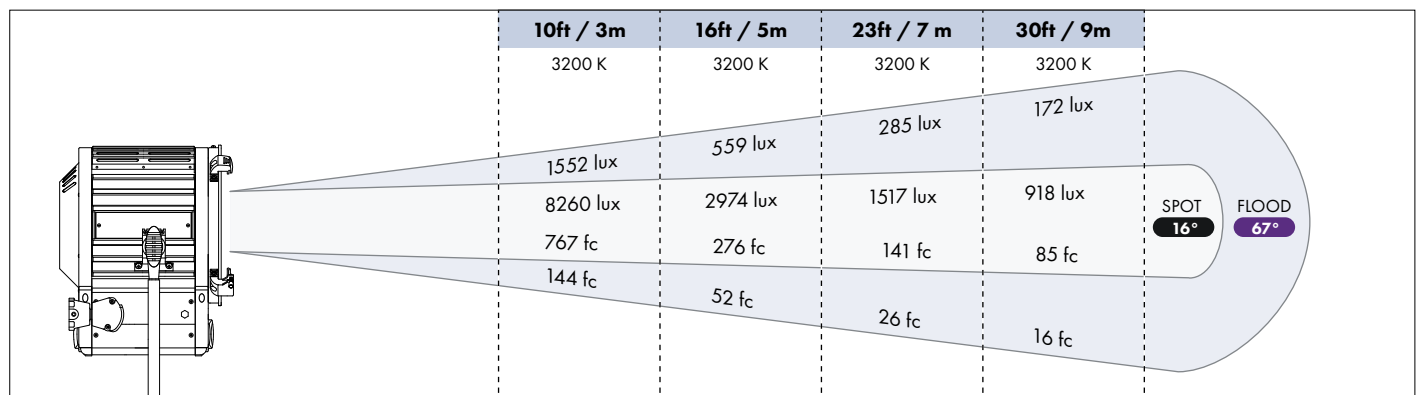
Mounting - standard	Yoke with lateral thrust bearing and lock off knob, Jr Pin [28mm / 1 1/8"]
Mounting - pole operated	Pole Operated Yoke, Jr Pin [28 mm / 1 1/8"]
Weight - standard	12.7kg / 28lb
Weight - pole operated	13.6kg / 29.98lb
Tilt angle	+/- 90°
Barndoor diameter	323mm / 12.7"
Safety mesh	Stainless steel 25x25mm / 1x1"

Electrical

Nominal power draw	200W maximum
Power supply	Integrated, universal
Mains input	90 – 260 Vac, 50/60 Hz, autosensing
Power connection	powerCON TRUE 1, in and through
IP rating	IP20



Photometrics



Investing in LED fixtures brings immediate benefits: up to 85% energy savings; extended LED engine life vs halogen lamp; no external dimmers required; reduced HVAC requirements due to lack of heat.

All product, specs and data are subject to change without notice
©2022, Litepanels. All rights reserved.

STUDIO X5

BI-COLOR

Talent Light with Natural Quality

Litepanels **Studio X LED** Fresnels, engineered by world renowned broadcast lighting professionals Quartzcolor, deliver high-performance, directional, bright white light with precision spot to flood beam control and consistent quality.

Natural talent light with perfect skin tone rendering is achieved with high output Bi-Color COB LEDs to produce superior white light. With no variation in quality at any dimming level from 0-100% or across the adjustable CCT range from **2700°K to 6500°K**, Studio X Bi-Color Fresnels perfectly match ambient and practical set lighting to show talent in a naturally realistic light.

The Studio X5 Bi-Color 200W has a 10" lens with a wide spot-to-flood beam angle range of 16°-70°. With a maximum output of 11,704 lux at 10ft/3m (spot 5,600K), its output at 3,200K is similar to a 1KW traditional tungsten Fresnel. Advanced thermal management ensures 50,000+ hours of LED engine life, while individual burn-in and calibration tests ensure quality and consistency.

With high-quality, single source wrap-around illumination, Studio X is the perfect choice to light your talent – naturally.



PERFECT TALENT LIGHT

- Pure, bright, and consistent white light
- Perfect skin tone rendering

FLAWLESS FRESNEL BEAM

- Even field throughout the zoom range
- Effective light control with barndoors

COMPLETE CONTROL

- DMX, RDM, and local control
- Accurate, fine dimming curve

ENDURING PERFORMANCE

- Installed in leading broadcast studios
- Advanced thermal management

Product Information

Part Number:	US	UK	EU
Standard Yoke	960-5303	960-5203	960-5103
Pole Operated	960-5313	960-5213	960-5113
Description	Studio X5 Bi-Color 200W LED Fresnel		
Includes	LCD graphic display and on-board control panel; 5-pin RDM-DMX in/out connectors; Powercon in/out connectors; built-in universal power supply; 4-leaf rotating barndoor Ø 12.7" (323mm); 10ft (3m) PowerCON True 1 cable. US version also includes: gel frame Ø 12.7" (323mm)		

Accessories

900-6815	900-6816	900-6817	900-6818	900-6819	900-6820	900-6821
X5 & X6 Gel frame Ø323mm	X5 & X6 Scrim set Ø320mm	X5 & X6 Cone small aperture Ø323mm	X5 & X6 Cone medium aperture Ø323mm	X5 & X6 Cone large aperture Ø323mm	X5 & X6 4-leaf rotating barndoor Ø323mm	X5 & X6 8-leaf rotating barndoor Ø323mm

Studio X5 BI-COLOR Specifications

Optical Data

LED engine	Bi-Color COB
Lens	Fresnel 250mm / 10" Ø, low expansion borosilicate
Beam angle	16° - 70°
Correlated Color Temperature	Variable 2,700K to 6,500K
CRI	97
TLCI	97

Operational Data

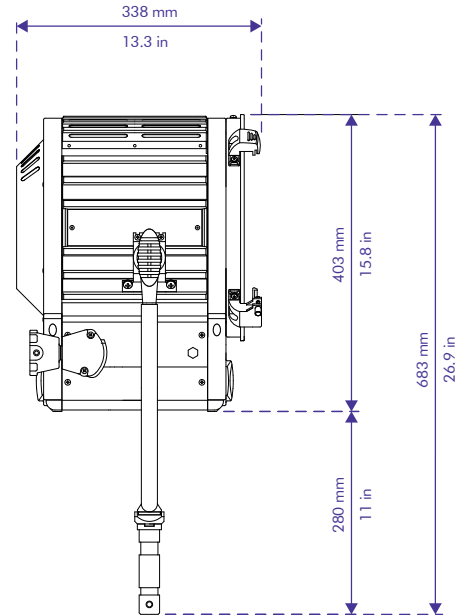
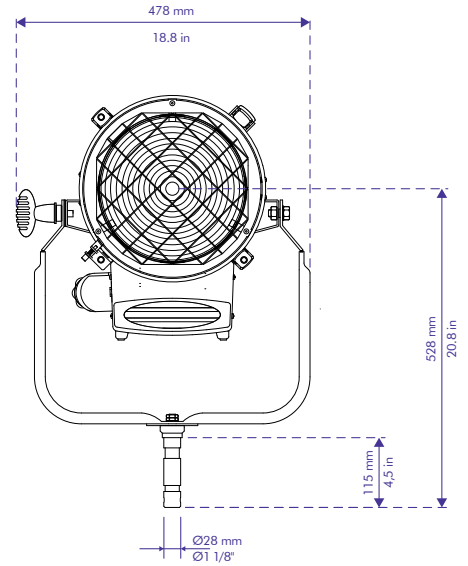
Focus adjustment	Wire focus mechanism on Teflon bushing
Dimming control	Constant Current 0-100% Continuous
Local control	Dual dial (dimming and CCT) and keypad controller with backlit LCD display
Control connections	5-Pin XLR in and through, Mini-USB
DMX control	Dimming and CCT, 8-bit and 16-bit
RDM control	DMX setup, hour counter, temperature
Fan	High efficiency convection, super silent fan with 3 speed presets
Software [Mini-USB]	Fixture status, firmware upgrade through PC
Ambient operating temperature	0° - 40°C / 32°-104°F
Estimated LED lifetime	50,000 hrs

Mechanical Data

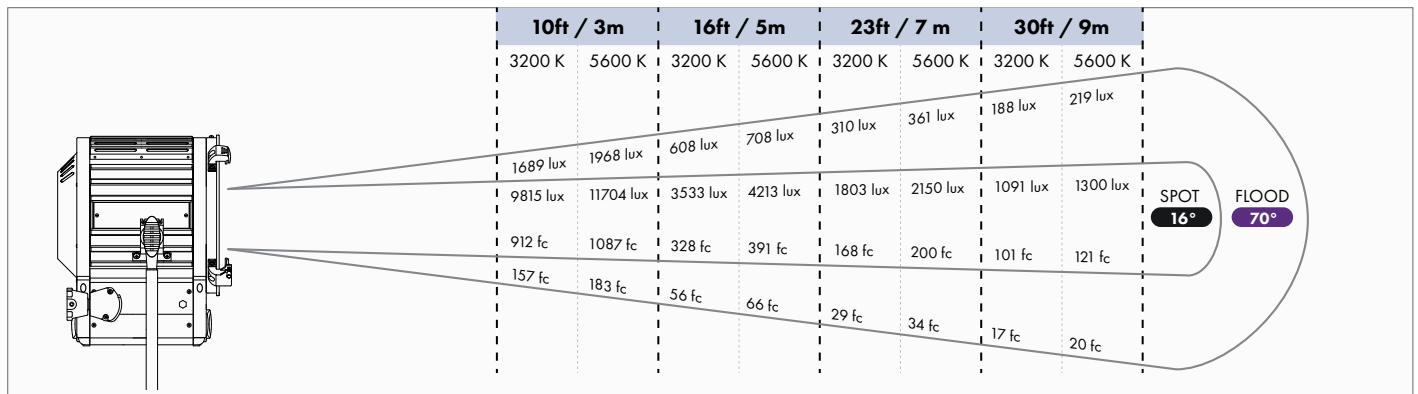
Mounting - standard	Yoke with lateral thrust bearing and lock off knob, Jr Pin [28mm / 1 1/8"]
Mounting - pole operated	Pole Operated Yoke, Jr Pin [28 mm / 1 1/8"]
Weight - standard	12.7kg / 28lb
Weight - pole operated	13.6kg / 29.98lb
Tilt angle	+/- 90°
Barndoor diameter	323mm / 12.7"
Safety mesh	Stainless steel 25x25mm / 1x1"

Electrical

Nominal power draw	200W maximum
Power supply	Integrated, universal
Mains input	90 – 260 Vac, 50/60 Hz, autosensing
Power connection	powerCON TRUE 1, in and through
IP rating	IP20



Photometrics



Investing in LED fixtures brings immediate benefits: up to 85% energy savings; extended LED engine life vs halogen lamp; no external dimmers required; reduced HVAC requirements due to lack of heat.

All product, specs and data are subject to change without notice
©2022, Litepanels. All rights reserved.

STUDIO X6

Daylight

Talent Light with Natural Quality

Litepanels **Studio X LED** Fresnels, engineered by world renowned broadcast lighting professionals Quartzcolor, deliver high-performance, directional, bright white light with precision spot to flood beam control and consistent quality.

Natural talent light with perfect skin tone rendering is achieved with high output COB LEDs to produce superior white light. With no variation in quality at any dimming level from 0-100%, Studio X Fresnels perfectly match ambient and practical set lighting to show talent in a naturally realistic light.

The Studio X6 Daylight (5,600K) 300W Fresnel has a 10" lens with a spot-to-flood beam angle range of 12°-60°. The fixture offers output of 21,400 lux at 10ft/3m (spot). Advanced thermal management ensures 50,000+ hours of LED engine life, while individual burn-in and calibration tests ensure quality and consistency.

With high-quality, single source wrap-around illumination, Studio X is the perfect choice to light your talent – naturally.



PERFECT TALENT LIGHT

- Pure, bright, and consistent white light
- Perfect skin tone rendering

FLAWLESS FRESNEL BEAM

- Even field throughout the zoom range
- Effective light control with barndoors

COMPLETE CONTROL

- DMX, RDM, and local control
- Accurate, fine dimming curve

ENDURING PERFORMANCE

- Installed in leading broadcast studios
- Advanced thermal management

Product Information

Part Number:	US	UK	EU
Standard Yoke	960-6301	960-6201	960-6101
Pole Operated	960-6311	960-6211	960-6111
Description	Studio X6 Daylight 300W LED Fresnel		
Includes	LCD graphic display and on-board control panel; 5-pin RDM-DMX in/out connectors;; Powercon in/out connectors; built-in universal power supply; 4-leaf rotating barndoor Ø 12.7" (323mm); 10ft (3m) PowerCON True 1 cable. US version also includes: gel frame Ø 12.7" (323mm)		

Accessories

900-6815	900-6816	900-6817	900-6818	900-6819	900-6820	900-6821
X5 & X6 Gel frame Ø323mm	X5 & X6 Scrim set Ø320mm	X5 & X6 Cone small aperture Ø323mm	X5 & X6 Cone medium aperture Ø323mm	X5 & X6 Cone large aperture Ø323mm	X5 & X6 4-leaf rotating barndoor Ø323mm	X5 & X6 8-leaf rotating barndoor Ø323mm

Studio X6 Daylight Specifications

Optical Data

LED engine	Daylight COB
Lens	Fresnel 250mm / 10" Ø, low expansion borosilicate
Beam angle	12° - 60°
Correlated Color Temperature	5,600K
CRI	>90

Operational Data

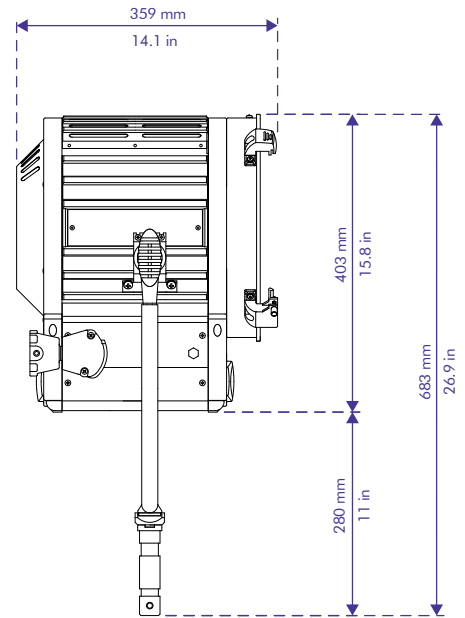
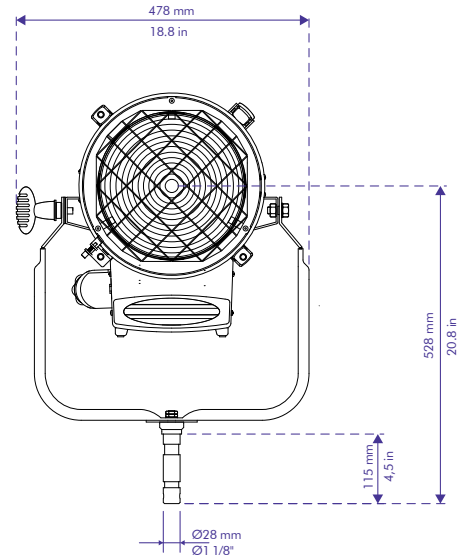
Focus adjustment	Wire focus mechanism on Teflon bushing
Dimming control	Constant Current 0-100% Continuous
Local control	Single dial (dimming) and keypad controller with backlit LCD display
Control connections	5-Pin XLR in and through, Mini-USB
DMX control	Dimming, 8-bit and 16-bit
RDM control	DMX setup, hour counter, temperature
Fan	High efficiency convection, super silent fan with 3 speed presets
Software [Mini-USB]	Fixture status, firmware upgrade through PC
Ambient operating temperature	0° - 40°C / 32°-104°F
Estimated LED lifetime	50,000 hrs

Mechanical Data

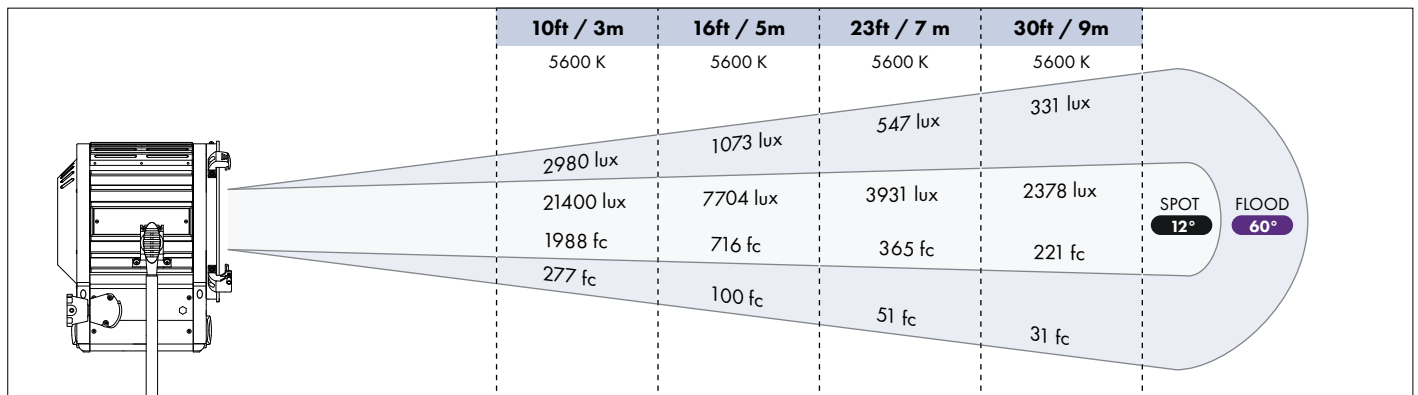
Mounting - standard	Yoke with lateral thrust bearing and lock off knob, Jr Pin [28mm / 1 1/8"]
Mounting - pole operated	Pole Operated Yoke, Jr Pin [28 mm / 1 1/8"]
Weight - standard	13.8kg / 30.4lb
Weight - pole operated	14.7kg / 32.4lb
Tilt angle	+/- 90°
Barndoor diameter	323mm / 12.7"
Safety mesh	Stainless steel 25x25mm / 1x1"

Electrical

Nominal power draw	300W maximum
Power supply	Integrated, universal
Mains input	90 – 260 Vac, 50/60 Hz, autosensing
Power connection	powerCON TRUE 1, in and through
IP rating	IP20



Photometrics



Investing in LED fixtures brings immediate benefits: up to 85% energy savings; extended LED engine life vs halogen lamp; no external dimmers required; reduced HVAC requirements due to lack of heat.

All product, specs and data are subject to change without notice
©2022, Litepanels. All rights reserved.

STUDIO X6

Tungsten

Talent Light with Natural Quality

Litepanels **Studio X LED** Fresnels, engineered by world renowned broadcast lighting professionals Quartzcolor, deliver high-performance, directional, bright white light with precision spot to flood beam control and consistent quality.

Natural talent light with perfect skin tone rendering is achieved with high output COB LEDs to produce superior white light. With no variation in quality at any dimming level from 0-100%, Studio X Fresnels perfectly match ambient and practical set lighting to show talent in a naturally realistic light.

The Studio X6 Tungsten (3,200K) 300W Fresnel has a 10" lens with a spot-to-flood beam angle range of 12°-60°. The fixture output is similar to a 2KW traditional tungsten Fresnel. Advanced thermal management ensures 50,000+ hours of LED engine life, while individual burn-in and calibration tests ensure quality and consistency.

With high-quality, single source wrap-around illumination, Studio X is the perfect choice to light your talent – naturally.



PERFECT TALENT LIGHT

- Pure, bright, and consistent white light
- Perfect skin tone rendering

FLAWLESS FRESNEL BEAM

- Even field throughout the zoom range
- Effective light control with barndoors

COMPLETE CONTROL

- DMX, RDM, and local control
- Accurate, fine dimming curve

ENDURING PERFORMANCE

- Installed in leading broadcast studios
- Advanced thermal management

Product Information

Part Number:	US	UK	EU
Standard Yoke	960-6302	960-6202	960-6102
Pole Operated	960-6312	960-6212	960-6112
Description	Studio X6 Tungsten 300W LED Fresnel		
Includes	LCD graphic display and on-board control panel; 5-pin RDM-DMX in/out connectors; Powercon in/out connectors; built-in universal power supply; 4-leaf rotating barndoor Ø 12.7" (323mm); 10ft (3m) PowerCON True 1 cable. US version also includes: gel frame Ø 12.7" (323mm)		

Accessories

900-6815	900-6816	900-6817	900-6818	900-6819	900-6820	900-6821
X5 & X6 Gel frame Ø323mm	X5 & X6 Scrim set Ø320mm	X5 & X6 Cone small aperture Ø323mm	X5 & X6 Cone medium aperture Ø323mm	X5 & X6 Cone large aperture Ø323mm	X5 & X6 4-leaf rotating barndoor Ø323mm	X5 & X6 8-leaf rotating barndoor Ø323mm

Studio X6 Tungsten Specifications

Optical Data

LED engine	Tungsten COB
Lens	Fresnel 250mm / 10" Ø, low expansion borosilicate
Beam angle	12° - 60°
Correlated Color Temperature	3,200K
CRI	>90

Operational Data

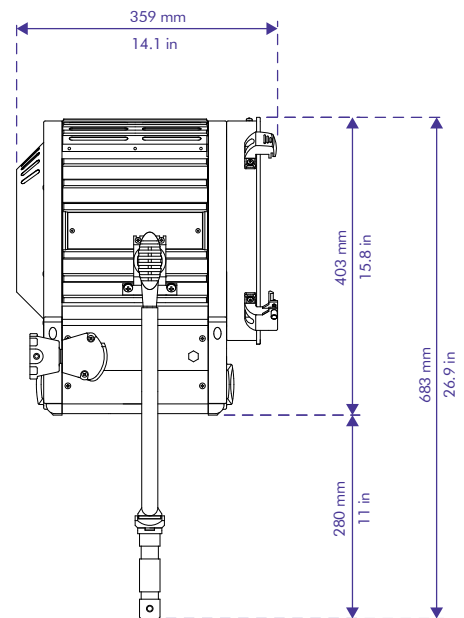
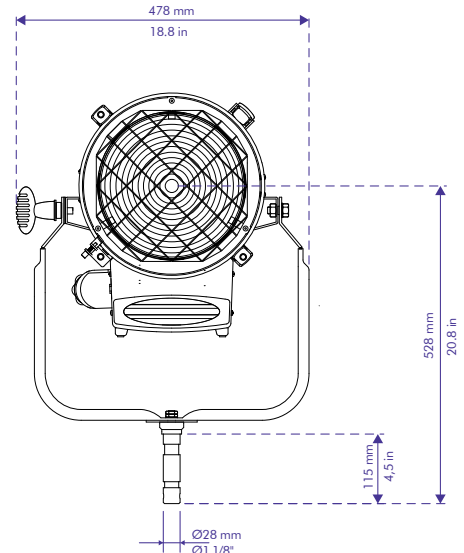
Focus adjustment	Wire focus mechanism on Teflon bushing
Dimming control	Constant Current 0-100% Continuous
Local control	Single dial (dimming) and keypad controller with backlit LCD display
Control connections	5-Pin XLR in and through, Mini-USB
DMX control	Dimming, 8-bit and 16-bit
RDM control	DMX setup, hour counter, temperature
Fan	High efficiency convection, super silent fan with 3 speed presets
Software [Mini-USB]	Fixture status, firmware upgrade through PC
Ambient operating temperature	0° - 40°C / 32°-104°F
Estimated LED lifetime	50,000 hrs

Mechanical Data

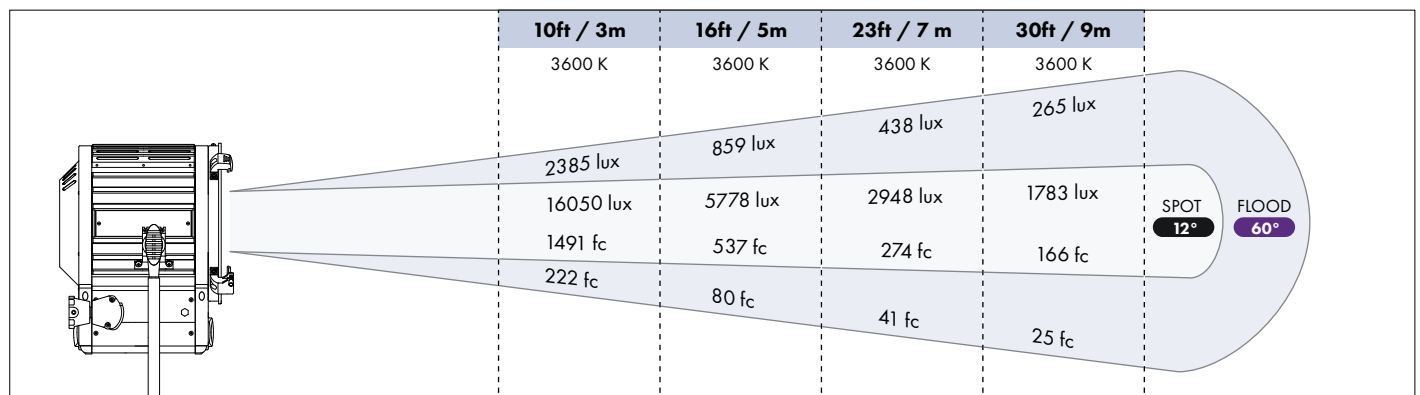
Mounting - standard	Yoke with lateral thrust bearing and lock off knob, Jr Pin [28mm / 1 1/8"]
Mounting - pole operated	Pole Operated Yoke, Jr Pin [28 mm / 1 1/8"]
Weight - standard	13.8kg / 30.4lb
Weight - pole operated	14.7kg / 32.4lb
Tilt angle	+/- 90°
Barndoor diameter	323mm / 12.7"
Safety mesh	Stainless steel 25x25mm / 1x1"

Electrical

Nominal power draw	300W maximum
Power supply	Integrated, universal
Mains input	90 - 260 Vac, 50/60 Hz, autosensing
Power connection	powerCON TRUE 1, in and through
IP rating	IP20



Photometrics



Investing in LED fixtures brings immediate benefits: up to 85% energy savings; extended LED engine life vs halogen lamp; no external dimmers required; reduced HVAC requirements due to lack of heat.

All product, specs and data are subject to change without notice
©2022, Litepanels. All rights reserved.

STUDIO X6

BI-COLOR

Talent Light with Natural Quality

Litepanels **Studio X LED** Fresnels, engineered by world renowned broadcast lighting professionals Quartzcolor, deliver high-performance, directional, bright white light with precision spot to flood beam control and consistent quality.

Natural talent light with perfect skin tone rendering is achieved with high output Bi-Color COB LEDs to produce superior white light. With no variation in quality at any dimming level from 0-100% or across the adjustable CCT range from **2700°K to 6500°K**, Studio X Bi-Color Fresnels perfectly match ambient and practical set lighting to show talent in a naturally realistic light.

The Studio X6 Bi-Color 300W has a 10" lens with a wide spot-to-flood beam angle range of 20°-62°. With a maximum output of 22,400 lux at 10ft/3m (spot 5,600K), its output at 3,200K is similar to a 2KW traditional tungsten Fresnel. Advanced thermal management ensures 50,000+ hours of LED engine life, while individual burn-in and calibration tests ensure quality and consistency.

With high-quality, single source wrap-around illumination, Studio X is the perfect choice to light your talent – naturally.



PERFECT TALENT LIGHT

- Pure, bright, and consistent white light
- Perfect skin tone rendering

FLAWLESS FRESNEL BEAM

- Even field throughout the zoom range
- Effective light control with barndoors

COMPLETE CONTROL

- DMX, RDM, and local control
- Accurate, fine dimming curve

ENDURING PERFORMANCE

- Installed in leading broadcast studios
- Advanced thermal management

Product Information

Part Number:	US	UK	EU
Standard Yoke	960-6303	960-6203	960-6103
Pole Operated	960-6313	960-6213	960-6113
Description	Studio X6 Bi-Color 300W LED Fresnel		
Includes	LCD graphic display and on-board control panel; 5-pin RDM-DMX in/out connectors; Powercon in/out connectors; built-in universal power supply; 4-leaf rotating barndoor Ø 12.7" (323mm); 10ft (3m) PowerCON True 1 cable. US version also includes: gel frame Ø 12.7" (323mm)		

Accessories

900-6815	900-6816	900-6817	900-6818	900-6819	900-6820	900-6821
X5 & X6 Gel frame Ø323mm	X5 & X6 Scrim set Ø320mm	X5 & X6 Cone small aperture Ø323mm	X5 & X6 Cone medium aperture Ø323mm	X5 & X6 Cone large aperture Ø323mm	X5 & X6 4-leaf rotating barndoor Ø323mm	X5 & X6 8-leaf rotating barndoor Ø323mm

Studio X6 BI-COLOR Specifications

Optical Data

LED engine	Bi-Color COB
Lens	Fresnel 250mm / 10" Ø, low expansion borosilicate
Beam angle	20° - 62°
Correlated Color Temperature	Variable 2,700K to 6,500K
CRI	97
TLCI	97

Operational Data

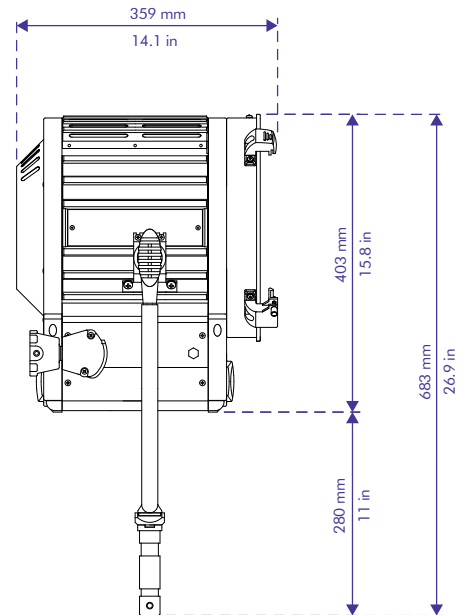
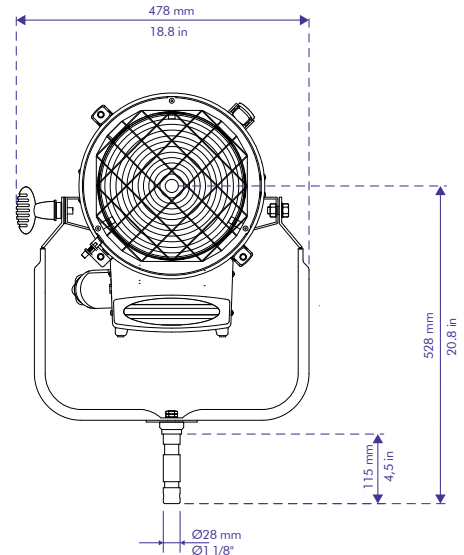
Focus adjustment	Wire focus mechanism on Teflon bushing
Dimming control	Constant Current 0-100% Continuous
Local control	Dual dial (dimming and CCT) and keypad controller with backlit LCD display
Control connections	DMX in and through 5-Pin XLR, Mini-USB
DMX control	Dimming and CCT, 8-bit and 16-bit
RDM control	DMX setup, hour counter, temperature
Fan	High efficiency convection, super silent fan with 3 speed presets
Software [Mini-USB]	Fixture status, firmware upgrade through PC
Ambient operating temperature	0° - 40°C / 32°-104°F
Estimated LED lifetime	50,000 hrs

Mechanical Data

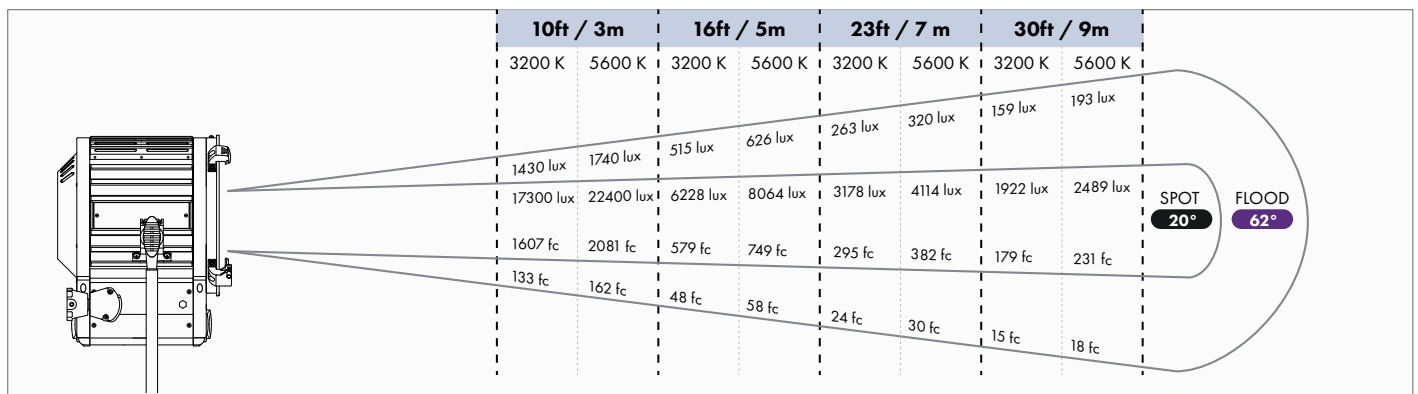
Mounting - standard	Yoke with lateral thrust bearing and lock off knob, Jr Pin [28mm / 1 1/8"]
Mounting - pole operated	Pole Operated Yoke, Jr Pin [28 mm / 1 1/8"]
Weight - standard	13.8kg / 30.4lb
Weight - pole operated	14.7kg / 32.4lb
Tilt angle	+/- 90°
Barndoor diameter	323mm / 12.7"
Safety mesh	Stainless steel 25x25mm / 1x1"

Electrical

Nominal power draw	300W maximum
Power supply	Integrated, universal
Mains input	90 - 260 Vac, 50/60 Hz, autosensing
Power connection	powerCON TRUE 1, in and through
IP rating	IP20



Photometrics



Investing in LED fixtures brings immediate benefits: up to 85% energy savings; extended LED engine life vs halogen lamp; no external dimmers required; reduced HVAC requirements due to lack of heat.

All product, specs and data are subject to change without notice
©2022, Litepanels. All rights reserved.

STUDIO X7

BI-COLOR

Talent Light with Natural Quality

Litepanels **Studio X LED** Fresnels, engineered by world renowned broadcast lighting professionals Quartzcolor, deliver high-performance, directional, bright white light with precision spot to flood beam control and consistent quality.

Natural talent light with perfect skin tone rendering is achieved with high output Bi-Color COB LEDs to produce superior white light. With no variation in quality at any dimming level from 0-100% or across the adjustable CCT range from **2700°K to 6500°K**, Studio X Bi-Color Fresnels perfectly match ambient and practical set lighting to show talent in a naturally realistic light.

The Studio X7 Bi-Color 360W has a 14" lens with a wide spot-to-flood beam angle range of 6° - 57°. With a maximum output of 28,116 lux at 10ft/3m (spot 5,600K), its output at 3,200K is similar to a 2KW traditional tungsten Fresnel. Advanced thermal management ensures 50,000+ hours of LED engine life, while individual burn-in and calibration tests ensure quality and consistency.

With high-quality, single source wrap-around illumination, Studio X is the perfect choice to light your talent – naturally.



PERFECT TALENT LIGHT

- Pure, bright, and consistent white light
- Perfect skin tone rendering

FLAWLESS FRESNEL BEAM

- Even field throughout the zoom range
- Effective light control with barndoors

COMPLETE CONTROL

- DMX, RDM, and local control
- Accurate, fine dimming curve

ENDURING PERFORMANCE

- Installed in leading broadcast studios
- Advanced thermal management

Product Information

Part Number:	US	UK	EU
Standard Yoke	960-7303	960-7203	960-7103
Pole Operated	960-7313	960-7213	960-7113
Description	Studio X7 Bi-Color 360W LED Fresnel		
Includes	LCD graphic display and on-board control panel; 5-pin RDM-DMX in/out connectors; Powercon in/out connectors; built-in universal power supply; 4-leaf rotating barndoor Ø 16" (401mm); 10ft (3m) PowerCON True 1 cable. US version also includes: gel frame Ø 16" (408mm)		

Accessories

900-6822 X7 Gel frame Ø408mm	900-6823 X7 Scrim set 4 pieces Ø408mm	900-6824 X7 Cone small aperture Ø401mm	900-6825 X7 Cone medium aperture Ø401mm	900-6826 X7 Cone large aperture Ø401mm	900-6827 X7 4-leaf rotating barndoor Ø401mm	900-6828 X7 8-leaf rotat- ing barndoor Ø401mm
---	--	---	--	---	---	---

Studio X7 BI-COLOR Specifications

Optical Data

LED engine	Bi-Color COB
Lens	Fresnel 350mm / 14" Ø, low expansion borosilicate
Beam angle	6° - 57°
Correlated Color Temperature	Variable 2,700K to 6,500K
CRI	97
TLCI	97

Operational Data

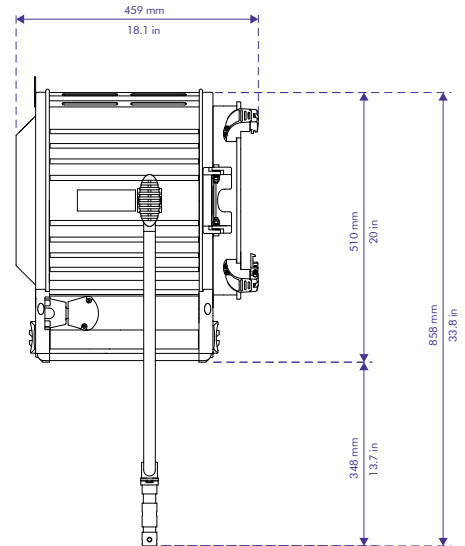
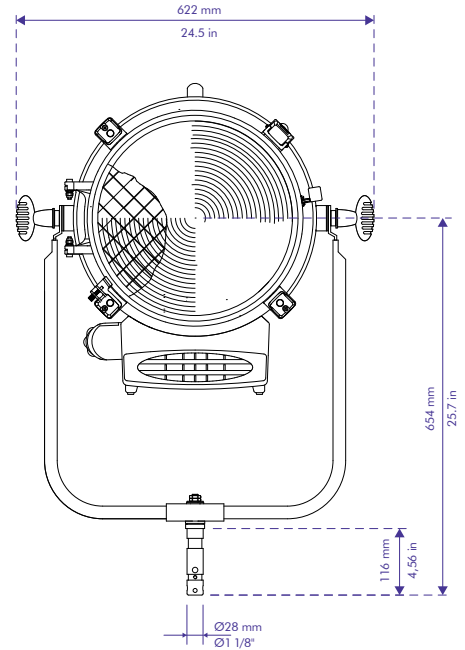
Focus adjustment	Wire focus mechanism on Teflon bushing
Dimming control	Constant Current 0-100% Continuous
Local control	Single dial (dimming) and keypad controller with backlit LCD display
Control connections	5-Pin XLR in and through, Mini-USB
DMX control	Dimming and CCT, 8-bit and 16-bit
RDM control	DMX setup, hour counter, temperature
Fan	High efficiency convection, super silent fan with 3 speed presets
Software [Mini-USB]	Fixture status, firmware upgrade through PC
Ambient operating temperature	0° - 40°C / 32°-104°F
Estimated LED lifetime	50,000 hrs

Mechanical Data

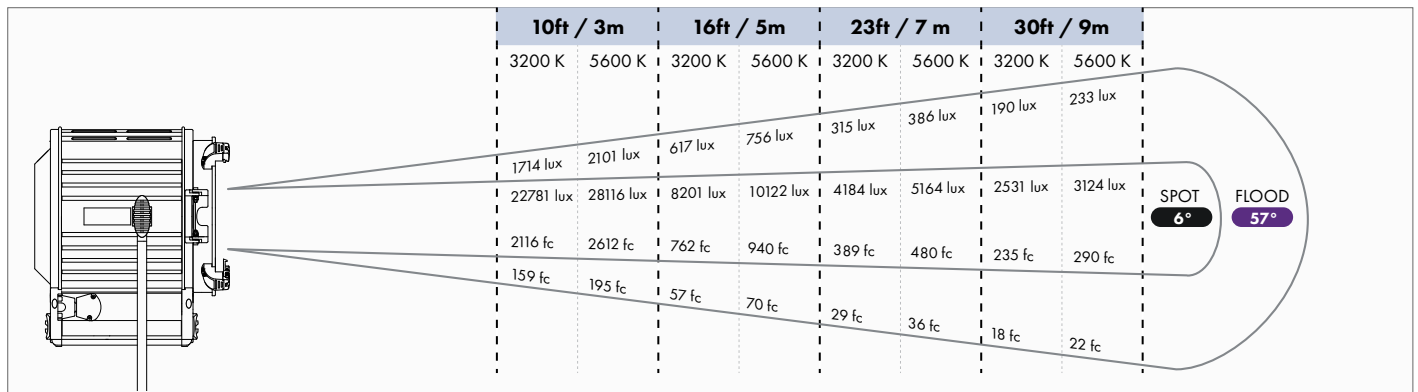
Mounting - standard	Yoke with lateral thrust bearing and lock off knob, Jr Pin [28mm / 1 1/8"]
Mounting - pole operated	Pole Operated Yoke, Jr Pin [28 mm / 1 1/8"]
Weight - standard	24kg / 52.9lb
Weight - pole operated	25kg / 55.12lb
Tilt angle	+/- 90°
Barndoor diameter	401 mm / 16"
Safety mesh	Stainless steel 25x25mm / 1x1"

Electrical

Nominal power draw	360W maximum
Power supply	Integrated, universal
Mains input	90 - 260 Vac, 50/60 Hz, autosensing
Power connection	powerCON TRUE 1, in and through
IP rating	IP20



Photometrics



Investing in LED fixtures brings immediate benefits: up to 85% energy savings; extended LED engine life vs halogen lamp; no external dimmers required; reduced HVAC requirements due to lack of heat.

All product, specs and data are subject to change without notice
©2022, Litepanels. All rights reserved.

STUDIO X7

Daylight

Talent Light with Natural Quality

Litepanels **Studio X LED** Fresnels, engineered by world renowned broadcast lighting professionals Quartzcolor, deliver high-performance, directional, bright white light with precision spot to flood beam control and consistent quality.

Natural talent light with perfect skin tone rendering is achieved with high output COB LEDs to produce superior white light. With no variation in quality at any dimming level from 0-100%, Studio X Fresnels perfectly match ambient and practical set lighting to show talent in a naturally realistic light.

The Studio X7 Daylight (5,600K) 360W Fresnel has a 14" lens with a spot-to-flood beam angle range of 12°-60°. The fixture offers output of 28,200 lux at 10ft/3m (spot). Advanced thermal management ensures 50,000+ hours of LED engine life, while individual burn-in and calibration tests ensure quality and consistency.

With high-quality, single source wrap-around illumination, Studio X is the perfect choice to light your talent – naturally.



PERFECT TALENT LIGHT

- Pure, bright, and consistent white light
- Perfect skin tone rendering

FLAWLESS FRESNEL BEAM

- Even field throughout the zoom range
- Effective light control with barndoors

COMPLETE CONTROL

- DMX, RDM, and local control
- Accurate, fine dimming curve

ENDURING PERFORMANCE

- Installed in leading broadcast studios
- Advanced thermal management

Product Information

Part Number:	US	UK	EU
Standard Yoke	960-7301	960-7201	960-7101
Pole Operated	960-7311	960-7211	960-7111
Description	Studio X7 Daylight 360W LED Fresnel		
Includes	LCD graphic display and on-board control panel; 5-pin RDM-DMX in/out connectors; built-in universal power supply; 4-leaf rotating barndoor Ø 16" (401 mm); 10ft (3m) PowerCON True 1 cable. US version also includes: gel frame Ø 16" (408mm)		

Accessories

900-6822	900-6823	900-6824	900-6825	900-6826	900-6827	900-6828
X7 Gel frame Ø408mm	X7 Scrim set 4 pieces Ø408mm	X7 Cone small aperture Ø401 mm	X7 Cone medium aperture Ø401 mm	X7 Cone large aperture Ø401 mm	X7 4-leaf rotating barndoor Ø401 mm	X7 8-leaf rotat- ing barndoor Ø401 mm

Studio X7 Daylight Specifications

Optical Data

LED engine	Daylight COB
Lens	Fresnel 350mm / 14" Ø, low expansion borosilicate
Beam angle	12° - 60°
Correlated Color Temperature	5,600K
CRI	>90

Operational Data

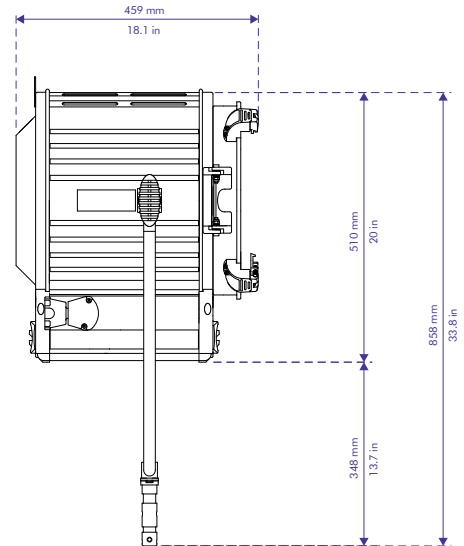
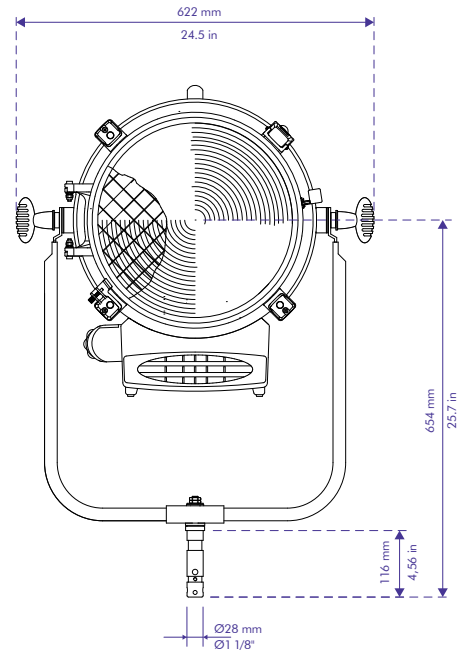
Focus adjustment	Wire focus mechanism on Teflon bushing
Dimming control	Constant Current 0-100% Continuous
Local control	Single dial (dimming) and keypad controller with backlit LCD display
Control connections	5-Pin XLR in and through, Mini-USB
DMX control	Dimming, 8-bit and 16-bit
RDM control	DMX setup, hour counter, temperature
Fan	High efficiency convection, super silent fan with 3 speed presets
Software [Mini-USB]	Fixture status, firmware upgrade through PC
Ambient operating temperature	0° - 40°C / 32° - 104°F
Estimated LED lifetime	50,000 hrs

Mechanical Data

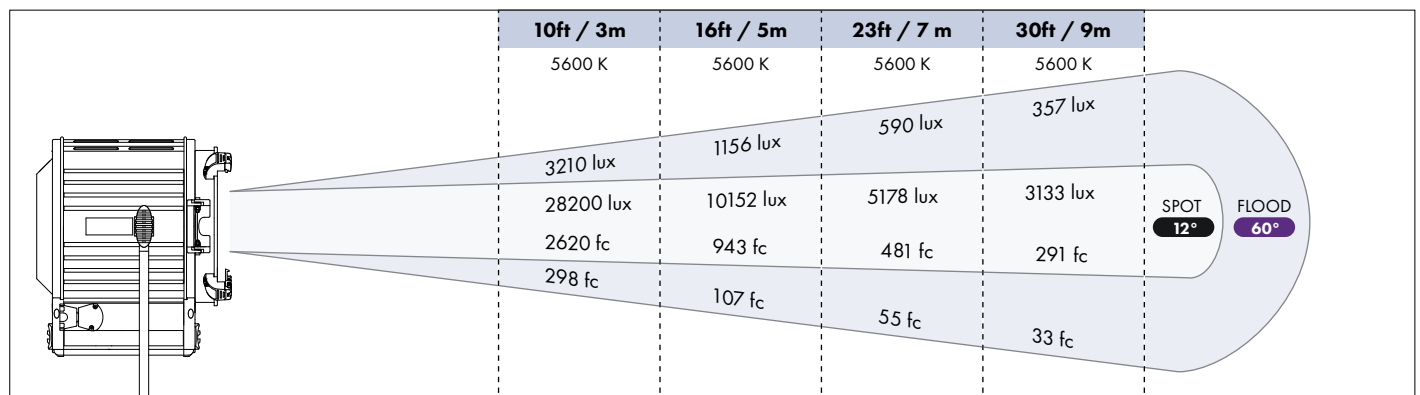
Mounting - standard	Yoke with lateral thrust bearing and lock off knob, Jr Pin [28mm / 1 1/8"]
Mounting - pole operated	Pole Operated Yoke, Jr Pin [28 mm / 1 1/8"]
Weight - standard	24kg / 52.9lb
Weight - pole operated	25kg / 55.12lb
Tilt angle	+/- 90°
Barndoor diameter	401 mm / 16"
Safety mesh	Stainless steel 25x25mm / 1x1"

Electrical

Nominal power draw	360W maximum
Power supply	Integrated, universal
Mains input	90 – 260 Vac, 50/60 Hz, autosensing
Power connection	powerCON TRUE 1, in and through
IP rating	IP20



Photometrics



Investing in LED fixtures brings immediate benefits: up to 85% energy savings; extended LED engine life vs halogen lamp; no external dimmers required; reduced HVAC requirements due to lack of heat.

All product, specs and data are subject to change without notice
©2022, Litepanels. All rights reserved.

STUDIO X7

Tungsten

Talent Light with Natural Quality

Litepanels **Studio X LED** Fresnels, engineered by world renowned broadcast lighting professionals Quartzcolor, deliver high-performance, directional, bright white light with precision spot to flood beam control and consistent quality.

Natural talent light with perfect skin tone rendering is achieved with high output COB LEDs to produce superior white light. With no variation in quality at any dimming level from 0-100%, Studio X Fresnels perfectly match ambient and practical set lighting to show talent in a naturally realistic light.

The Studio X7 Tungsten (3,200K) 360W Fresnel has a 14" lens with a spot-to-flood beam angle range of 12°-60°. The fixture output is similar to a 2KW traditional tungsten Fresnel. Advanced thermal management ensures 50,000+ hours of LED engine life, while individual burn-in and calibration tests ensure quality and consistency.

With high-quality, single source wrap-around illumination, Studio X is the perfect choice to light your talent – naturally.



PERFECT TALENT LIGHT

- Pure, bright, and consistent white light
- Perfect skin tone rendering

FLAWLESS FRESNEL BEAM

- Even field throughout the zoom range
- Effective light control with barndoors

COMPLETE CONTROL

- DMX, RDM, and local control
- Accurate, fine dimming curve

ENDURING PERFORMANCE

- Installed in leading broadcast studios
- Advanced thermal management

Product Information

Part Number:	US	UK	EU
Standard Yoke	960-7302	960-7202	960-7102
Pole Operated	960-7312	960-7212	960-7112
Description	Studio X7 Tungsten 360W LED Fresnel		
Includes	LCD graphic display and on-board control panel; 5-pin RDM-DMX in/out connectors; Powercon in/out connectors; built-in universal power supply; 4-leaf rotating barndoor Ø 16" (401mm); 10ft (3m) PowerCON True 1 cable. US version also includes: gel frame Ø 16" (408mm)		

Accessories

900-6822	900-6823	900-6824	900-6825	900-6826	900-6827	900-6828
X7 Gel frame Ø408mm	X7 Scrim set 4 pieces Ø408mm	X7 Cone small aperture Ø401mm	X7 Cone medium aperture Ø401mm	X7 Cone large aperture Ø401mm	X7 4-leaf rotating barndoor Ø401mm	X7 8-leaf rotat- ing barndoor Ø401mm

