

CINE

Series



Art through movement

Support your cinematic artistry with the Sachtler Cine Series – fluid heads designed for cinematographers. With the Sachtler Cine Series, you get the best of both worlds - cine-features and powerful support in a fluid head that's the smallest and lightest in its class. Cine heads incorporate rapid counterbalance and frictionless fluid drag, allowing delicate cinematic moves.

Innovation born of cinematic legacy:

Sachtler Cine heads have a long heritage in the moving picture industry. Cameraman and actor, Wendelin Sachtler, built his first head dampened by a gyro-system in 1958. Since then, filmmakers all around the world use Sachtler Cine heads on set every day to create must-see content, from Academy Award® winning pictures to smash-hit drama series.

Speed and flexibility meeting every challenge:

Navigate demanding cinematic shoots with unparalleled speed and flexibility. From the agile Cine 20 to the high-performance Cine 50, speed becomes your ally. The secure Sideload mechanism ensures straightforward mounting and balancing of highly accessorised cameras. With a compact design, wide payload range and SpeedBalance technology, each fluid head empowers cinematographers to adapt swiftly to the dynamic demands of any shoot.

Smoothness defining every frame:

Controlled camera movement is the heartbeat of cinematography. Sachtler Cine heads breathe life into every frame with delicate smooth movement through the entire range, from the compact Cine 20 to the all-rounder Cine 30 and the powerhouse Cine 50. With Sachtler variable drag settings, offering precise control over your camera's movements, and a front pan bar for intuitive control, each Cine head ensures that your vision unfolds with unmatched smoothness.



CINE20

CINE30

CINE50

**Reliability
engineered into
every detail:**

Sachtler Cine heads are synonymous with dependability. Crafted with precision engineering and robust materials, these fluid heads are built to withstand the rigours of daily set life. Sachtler Cine fluid heads are

an investment in your craft, providing a reliable working tool that stands resilient against the test of time, weather, and the challenges of diverse shooting environments.

CINE Fluid Head Range



CINE 20

CINE 30

CINE 50

Bowl:	100mm	150mm	150mm
Payload range:	2 - 22 kg / 4 - 48 lb	3 - 32 kg / 7 - 71 lb	10 - 50 kg / 22 - 110 lb
Counterbalance:	16 steps + Boost Button	18 steps + Boost Button	18 steps
Drag Setting:	7 + 0	7 + 0	9 + 0
Head Weight:	4.1 kg / 9.0 lb	6.7 kg / 14.7 lb	10.1 kg / 22.3 lb
Camera fitting:	Sideload	Sideload	Sideload
Sliding Range:	150 mm / 5.9 in	150 mm / 5.9 in	150 mm / 5.9 in
Tilt Range:	+90°/-80°	+90°/-75°	+90°/-60°
Temperature Range:	-40° to +60°C / -40° to +140°F	-40° to +60°C / -40° to +140°F	-40° to +60°C / -40° to +140°F

All Cine heads include 1 telescopic pan bar.

CINE *Systems Overview*



CINE 20

Cine 20 flowtech 100 MS
1911-FTMS

Cine 20 flowtech 100 GS
1911-FTGS

Cine 20 HD CF MS
1983

Cine 20 HD CF GS
1982

Bowl:	100 mm	100 mm	100 mm	100 mm
Payload range:	2-22 kg / 4 - 48 lb	2-22 kg / 4 - 48 lb	2-22 kg / 4 - 48 lb	2-22 kg / 4 - 48 lb
Counterbalance:	16 steps + Boost Button	16 steps + Boost Button	16 steps + Boost Button	16 steps + Boost Button
Drag Setting:	7+0	7+0	7+0	7+0
System Weight:	8.3 kg / 18.3 lb	8.2 kg / 18.1 lb	9.5 kg / 20.9 lb	10.3 kg / 22.8 lb
Camera fitting:	Slideload	Slideload	Slideload	Slideload
Sliding Range:	150 mm / 5.9 in	150 mm / 5.9 in	150 mm / 5.9 in	150 mm / 5.9 in
Temperature Range:	-40° to +60°C / -40° to +140°F	-40° to +60°C / -40° to +140°F	-40° to +60°C / -40° to +140°F	-40° to +60°C / -40° to +140°F
Height Range with Spreader:	71 - 172 cm / 28 - 67.7 in	60 - 176 cm / 23.6 - 69.3 in	73 - 174 cm / 28.7- 68.5	72 - 178 cm / 28.3 - 70.1 in
Height Range without Spreader:	41 - 170 cm / 16.1 - 66.9 in	41 - 170 cm / 16.1 - 66.9 in	N/A	N/A
Transport Length:	86 cm / 33.9 in	86 cm / 33.9 in	94 cm / 37 in	94 cm / 37 in
Tripod Material:	Carbon Fibre	Carbon Fibre	Carbon Fibre	Carbon Fibre

Cine 20 Systems include fluid head and pan bar, tripod and spreader, front pan bar and soft carry case (flowtech systems also include carry handle).

Accessories



Front Pan Bar S
3373



Slideload Plate M
1164



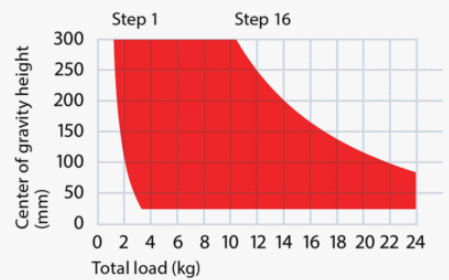
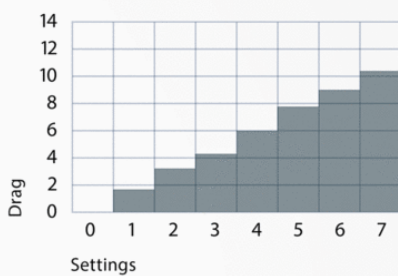
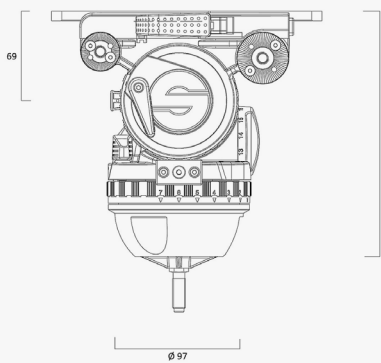
Tripod DA 100K
5122



Mini Ground Spreader 100
7002K



CINE 20



CINE *Systems Overview*



CINE₃₀
CINE₅₀

Cine 30 EFP CF MS
3013

Cine 30 EFP CF GS
3014

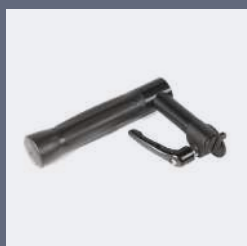
Cine 30
3026

Cine 50
6026

Bowl:	150 mm	150 mm	150 mm	150 mm
Payload range:	3 - 32 kg / 7 - 71 lb	3 - 32 kg / 7 - 71 lb	3 - 32 kg / 7 - 71 lb	10 - 50 kg / 22 - 110 lb
Counterbalance:	18 steps + Boost Button	18 steps + Boost Button	18 steps + Boost Button	18 steps
Drag Setting:	7+0	7+0	7+0	9+0
System Weight:	12.2 kg / 26.9 lb	12.7 kg / 28 lb	20 kg / 44 lb	23.4 kg / 51.6 lb
Camera fitting:	Slideload	Slideload	Slideload	Slideload
Sliding Range:	150 mm / 5.9 in	150 mm / 5.9 in	150 mm / 5.9 in	150 mm / 5.9 in
Temperature Range:	-40° to +60°C / -40° to +140°F	-40° to +60°C / -40° to +140°F	-40° to +60°C / -40° to +140°F	-40° to +60°C / -40° to +140°F
Height Range with Spreader:	77 - 173 cm 30.3 - 68.1 in	76 - 176 cm / 29.9 - 69.3 in	105 - 195 cm / 41.3 - 76.8 in	106 - 196 cm / 41.7 - 77.2 in
Tripod Extension:	2-Stage	2-Stage	1-Stage	1-Stage
Tripod Material:	Carbon Fibre	Carbon Fibre	Aluminium	Aluminium

Cine 30 and Cine 50 Systems include fluid head and pan bar, tripod and spreader, and front pan bar.

Accessories



Front Pan Bar HD
3372



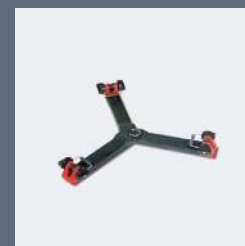
Front Box Adaptor
3921



Slideload Plate HD
3060



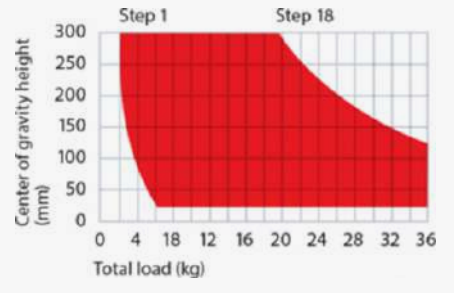
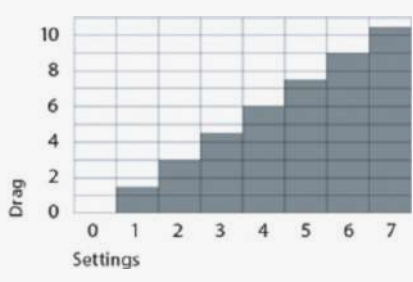
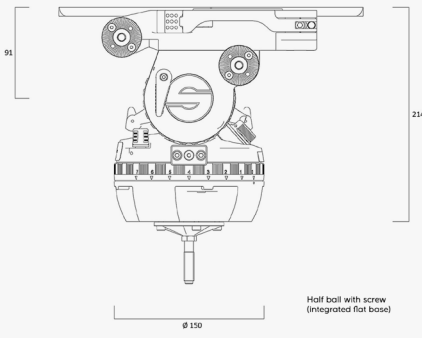
Tripod Cine 2000 Short
6232



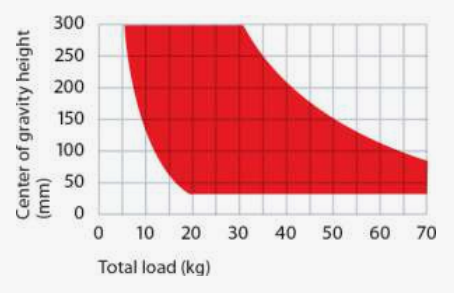
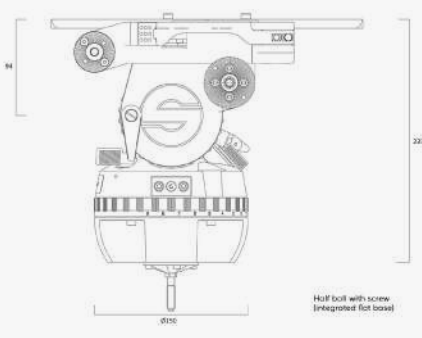
Mini Ground Spreader EX
7013K



CINE 30



CINE 50



sachtler 



sachtler.com/cine



Sachtler
A Videndum plc Brand